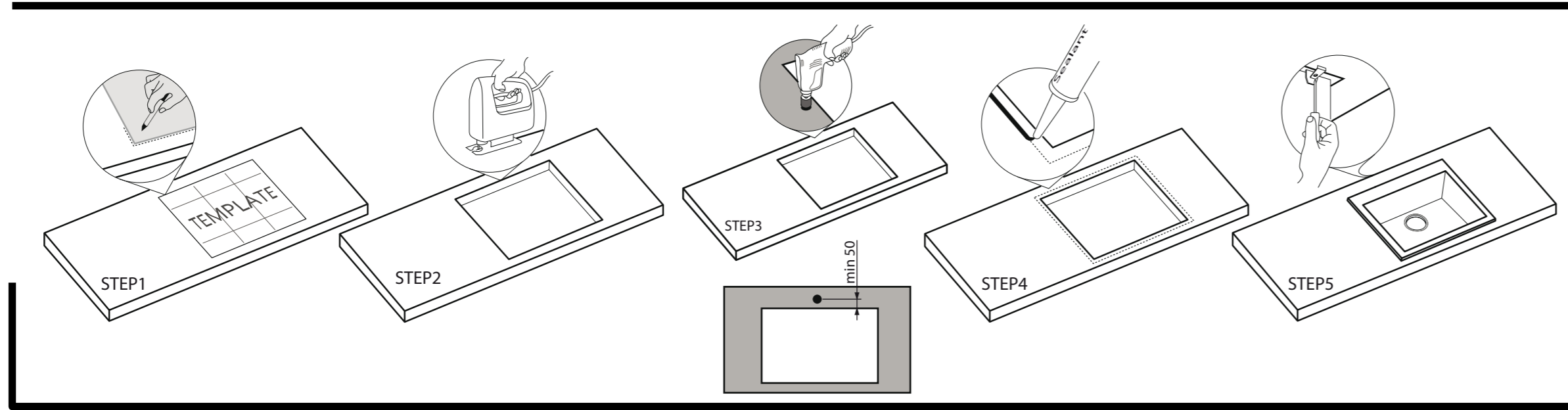
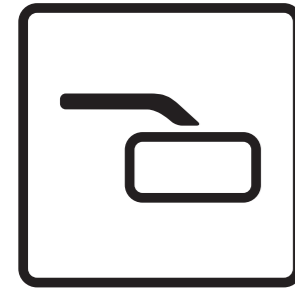
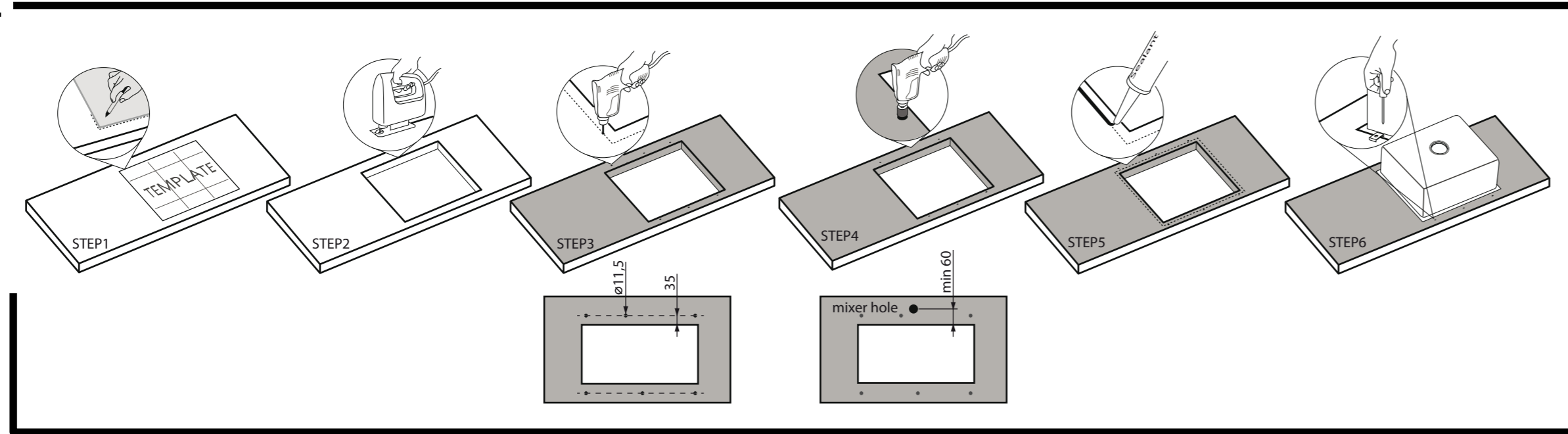
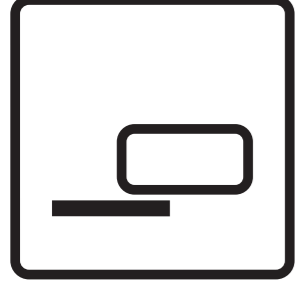


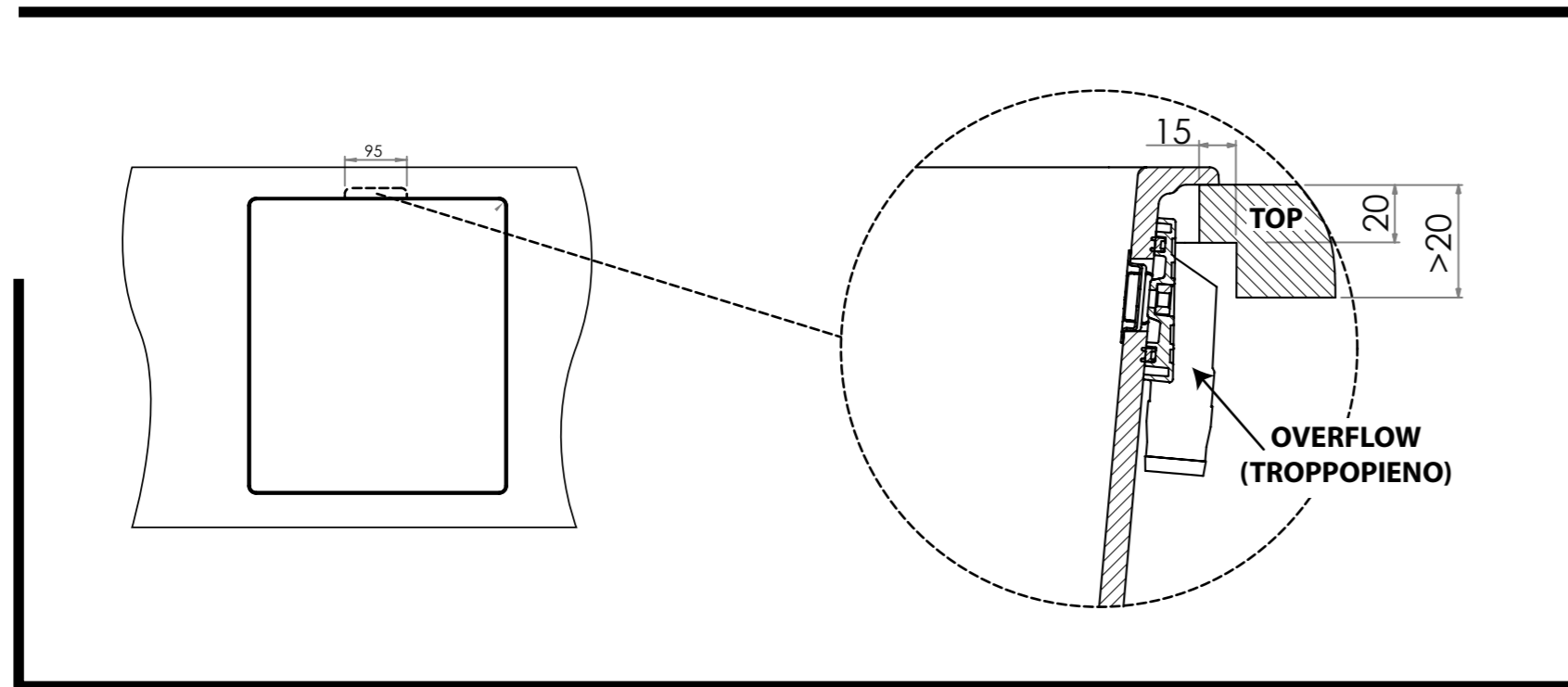
**INSET
(INCASSO)**



**UNDERMOUNT
(SOTTOTOP)**



**OVERFLOW
(TROPPOPIENO)
TOP > 20 mm**



CODE	INSTALLATION TYPE	X	Y	R
VZP76	INSET	745	445	5
	UNDERMOUNT	700	400	10
VZP56	INSET	545	445	5
	UNDERMOUNT	500	400	10
VZP45	INSET	445	445	5
	UNDERMOUNT	400	400	10

