

Contents

1 Instructions	12
1.1 General safety instructions	12
1.2 Manufacturer liability	12
1.3 Purpose of the accessory	12
1.4 Disposal	12
1.5 This user manual	13
1.6 How to read the user manual	13
2 Description	14
2.1 Teppanyaki plate	14
2.2 Scraper	14
3 Use	15
3.1 Instructions	15
3.2 First use	15
3.3 Using the Teppanyaki plate	15
4 Cleaning	17
4.1 Instructions	17
4.2 Cleaning the accessory	17

We advise you to read this manual carefully, which contains all the instructions for maintaining the appliance's aesthetic and functional qualities.

For further information on the product: www.smeg.com



Instructions

1 Instructions

1.1 General safety instructions

Risk of personal injury

- This accessory gets very hot during use.
- Keep children under eight years of age at a safe distance if they are not constantly supervised.
- Children must never play with the accessory.
- Never rest metallic objects such as knives, forks, spoons and lids on the accessory during use.
- The appliance must never be cleaned by unsupervised children.

Damage to the accessory

- Use wooden or plastic utensils.
- Do not use steam jets for cleaning the accessory.
- Never leave the accessory unattended during cooking operations where fats or oils could be released.

1.2 Manufacturer liability

The manufacturer declines all liability for damage to persons or property caused by:

- use of the accessory for purposes other than those envisaged;
- non-observance of the user manual provisions;
- tampering with any part of the accessory.

1.3 Purpose of the accessory

- This accessory is intended for cooking food in the home environment. Every other use is considered improper.
- This accessory may be used by children aged at least 8 and by people of reduced physical and mental capacity, or lacking in experience in the use of electrical appliances, as long they are supervised or instructed by adults who are responsible for their safety.
- The accessory is not designed to operate with external timers or with remote-control systems.

1.4 Disposal



This accessory must be disposed of separately from other waste (Directives 2002/95/EC, 2002/96/EC, 2003/108/EC). The accessory does not contain substances in quantities sufficient to be considered hazardous to health and the environment, in accordance with current European directives.



Disposing of the accessory:

- Consign the accessory to the appropriate selective collection centres for electrical and electronic equipment waste, or deliver it back to the retailer when purchasing an equivalent product, on a one for one basis.

Our products are packed in non-polluting and recyclable materials.

- Consign the packing materials to the appropriate selective collection centres.



Plastic packaging Danger of suffocation

- Do not leave the packaging or any part of it unattended.
- Do not let children play with the packaging plastic bags.

1.5 This user manual

This user manual is an integral part of the accessory and must therefore be kept in its entirety and in an accessible place for the whole working life of the accessory.

Read this user manual carefully before using the accessory.

1.6 How to read the user manual

This user manual uses the following reading conventions:



Instructions

General information on this user manual, on safety and final disposal.



Description

Description of the accessory and its accessories.



Use

Information on the use of the accessory and its accessories, cooking advice.



Cleaning

Information on correct cleaning of the accessory.



Safety instructions



Information



Advice

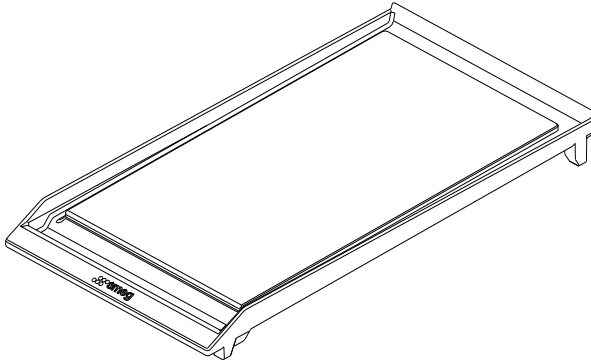
1. Use instruction sequence.

- Single use instruction.



2 Description

2.1 Teppanyaki plate



Useful for cooking meat, fish and vegetables directly on the plate without adding fats or oils, staying true to the tradition of Japanese cuisine that seeks to exalt the natural flavours and aromas of food ensuring light nourishment while preserving all nutritional elements.



3 Use

3.1 Instructions



High temperatures during use
Danger of burns

- Protect your hands using heat resistant gloves when moving food.
- Do not pour water onto the hot plate.
- Oils and fat could catch fire if overheated. Be very careful.



Improper use
Risk of damage to surfaces

- The Teppanyaki plate should be placed inside the perimeter of the hob.
- The Teppanyaki plate must not be used for more than **60 minutes**.
- The burners under the plate can be lit at the same time to the maximum setting for no more than 10 minutes. After this time they should be set at the minimum setting.

3.2 First use

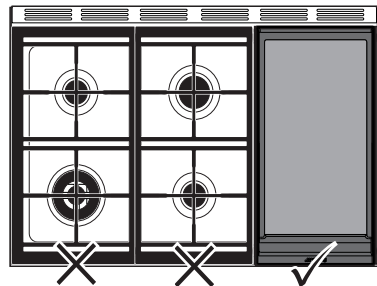
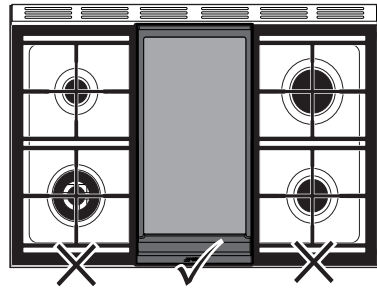
1. Remove any protective film from the outside or inside of the appliance, including accessories.
2. Remove any labels from the plate and accessories.
3. Rinse, dry and lightly oil the Teppanyaki plate.

3.3 Using the Teppanyaki plate



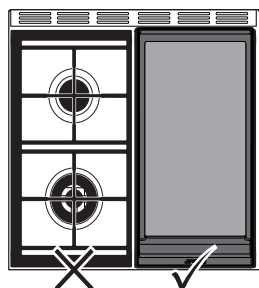
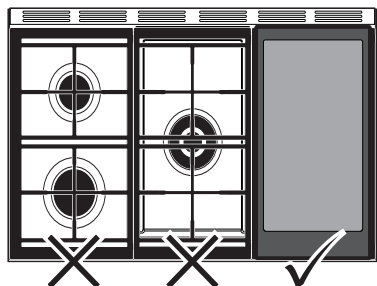
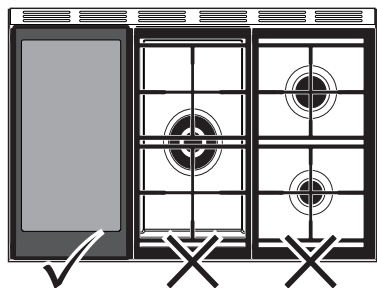
Improper use
Risk of damage to surfaces

- It is not possible to use more than one plate at the same time on the same appliance.
- The Teppanyaki plate should be positioned in place of the grid.
- The appliance the Teppanyaki plate is to be used on must be fitted with rear top skirtboard or steel panel.





Use



The burners under the plate can be lit at the same time to the maximum setting for no more than **10 minutes**. After this time they should be set at the minimum setting.



The Teppanyaki plate must not, in any case, be used for more than **60 minutes**.

- After use, the burners must be turned off and left to cool for at least 60 minutes. The oven or ovens in the appliance on which the plate is used can be used together with the plate for a maximum of 60 minutes, while also following the indications provided in the instruction booklet.
- The same precautions should be followed even if only one burner is being used.
- After use, wait at least 15 minutes before removing the plate from the appliance.



4 Cleaning

4.1 Instructions



Improper use Risk of damage to surfaces

- Do not use steam jets for cleaning the appliance.
- Do not use cleaning products containing chlorine, ammonia or bleach on steel parts or parts with metallic finishes on the surface (e.g. anodizing, nickel- or chromium-plating).
- Do not use rough or abrasive materials
- Never wash in the dishwasher.

4.2 Cleaning the accessory

The Teppanyaki plate is easier to clean when it is still lukewarm.

- Use conventional specific detergents for stainless steel and non-abrasive sponges. Any remaining encrustations or food residues can be easily removed by soaking the plate for a while. Dry it carefully.



Do not soak the plate in water immediately after use. Wait for it to cool down.

