



DOLCE & GABBANA

**INSTALLATION, USE & CARE GUIDE
GUIDE D'INSTALLATION, UTILISATION ET D'ENTRETIEN
GUÍA DE INSTALACIÓN, USO Y CUIDADO**

INSTALLATION, USE & CARE GUIDE

RANGE HOOD

EN

GUIDE D'INSTALLATION, UTILISATION ET D'ENTRETIEN

HOTTE DE LA CUISINE

FR

GUÍA DE INSTALACIÓN, USO Y CUIDADO

CAMPANA DE COCINA

ES



Dear customer,

Thank you for purchasing Divina Cucina, appliances from the Sicily is my Love Collection by Smeg – Dolce&Gabbana.

By choosing this product, you have opted for a product in which the quality and technology of Smeg products merge with the creativity and craftsmanship of Dolce&Gabbana.

The decoration is applied to the product through the combination of a patented industrial and manual process; therefore, any irregularities in the workmanship should be considered as unique and distinctive features.

IMPORTANT:

Save for the local electric inspector's use

Installer: Leave installation instructions with the homeowner

Homeowner: Keep installation instructions for future reference.

Write down the model and serial numbers before installing the appliance.

Both numbers are found on the model/serial ID plate.

Model # _____

Serial # _____

1 IMPORTANT SAFETY INSTRUCTIONS	5
1.1 Definition	6
1.2 State of California Proposition 65 Warning	6
1.3 Intended purpose	6
1.4 Installation warnings	6
1.5 Installation cautions	7
1.6 Usage warnings	8
1.7 Usage cautions	10
1.8 Disposal Warning	10
2 Description	11
2.1 General Description	11
2.2 Control panel	11
3 Use	11
3.1 Instructions	11
4 Cleaning and maintenance	12
4.1 Instructions	12
4.2 Cleaning the appliance	12
5 Installation	14
5.1 Positioning	14
5.2 Air connection systems	15
5.3 Electrical connection	17

1 IMPORTANT SAFETY INSTRUCTIONS

WARNING: If the instructions contained in this manual are not followed precisely, fire or explosion may result causing property damage, personal injury or loss of life.

READ AND SAVE THESE INSTRUCTIONS

We advise you to read this manual carefully as it contains all the instructions for maintaining the appliance's aesthetic and functional qualities.

For further information on the product: www.smeg.com



Important Safety Instructions

1.1 Definition



DANGER:

not following instructions immediately may result in loss of life or severe injuries.



WARNING:

not following instructions may result in loss of life or severe injuries.



CAUTION:

indicates a potentially hazardous situation which, if not avoided, may result in minor to moderate injury.



NOTE:

Important information.

1.2 State of California Proposition 65 Warning



WARNING:

This product contains a chemical known by the State of California to cause cancer, birth defects or other reproductive harm.

1.3 Intended purpose

- This appliance is intended for indoor household use only.
- This appliance has been designed to work as a DUCTING hood (evacuation of the air) or RECYCLING hood (recycling of the filtered air).

- This appliance is not designed or manufactured for professional use.

1.4 Installation warnings



WARNING

- Use two or more people to move and install this appliance.
- The appliance is heavy and it must be secured during transport and installation.
- Do not install this appliance:
 - outdoor,
 - in manufactured (mobile) homes or in recreational vehicles (RVs).
 - near a heater or flammable material,
 - in a room where there is a risk of freezing,
 - in direct sunlight or exposed to heat from stoves.
- Always place the appliance in a dry and well ventilated room.
- TO REDUCE THE RISK OF FIRE, USE ONLY METAL DUCTWORK.
- Observe all codes and ordinances in force.
- The minimum distance between the range and the lower part of the hood must be 750mm for gas



ranges and 650 mm for electric ranges.

- The extracted air must not be routed into a duct used to discharge fumes of Gas-operated appliances.
- To Reduce Risk Of Fire Or Electric Shock, Do Not Use This Fan With Any Solid-State Speed Control Device.
- Before connecting, make sure that the mains voltage corresponds to the voltage on the rating plate inside the hood.
- Plug into a grounded 3-prong outlet.
- Do not remove ground prong.
- Do not use an adapter plug.
- Do not use an extension cord.
- Do not twist or tie the power cord.
- Do not pull or bend the power cord.
- Do not damage the power cord when moving the appliance.
- Have the wall outlet and circuit checked by a qualified electrician to make sure the outlet is properly grounded.
- Only qualified service personnel should perform repairs. Service

personnel must disconnect the power supply before servicing this unit.

- Never unplug an appliance by pulling the power cord. Always grip the plug firmly and pull straight out from the outlet to prevent damaging the power cord.
- Do not attempt to repair or replace any part of this appliance unless specifically recommended in this manual. Any other servicing should be done by a qualified technician.
- Do not scatter the packing materials. Sort the various items of waste and take them to the nearest specialized waste collection facility.

1.5 Installation cautions



CAUTION

- Once you remove the appliance from its packaging make sure it is intact. If the product is damaged, do not use it and contact the assistance network.
- Do not use sharp instruments, rubbing alcohol, flammable fluids,



Important Safety Instructions

or abrasive cleaners to remove tape glue. Wipe with water only.

- Do not wiggle or drag the appliance when trying to move it, as floor damage could occur.

1.6 Usage warnings



WARNING

- Read all instructions.
- For General Ventilating Use Only. Do Not Use For To Exhaust Hazardous Or Explosive Materials And Vapors.
- Do not cook or fry in a way that could result in flames being sucked into the hood and causing a fire.
- **TO REDUCE THE RISK OF A RANGE TOP GREASE FIRE:**
 - a) Never leave surface units unattended at high settings. Boilovers cause smoking and greasy spills that may ignite. Heat oils slowly on low or medium settings.
 - b) Always turn hood ON when cooking at high heat or when flambeing food (i.e. Crepes Suzette, Cherries Jubilee, Peppercorn Beef Flambe').
 - c) Clean ventilating fans frequently. Grease should not be allowed to accumulate on fan or filter.
 - d) Use proper pan size. Always use cookware appropriate for the size of the surface element.
- **TO REDUCE THE RISK OF INJURY TO PERSONS IN THE EVENT OF A RANGE TOP GREASE FIRE, OBSERVE THE FOLLOWING:**
 - a) **SMOTHER FLAMES** with a close-fitting lid, cookie sheet, or metal tray, then turn off the burner. BE CAREFUL TO PREVENT BURNS. If the flames do not go out immediately, EVACUATE AND CALL THE FIRE DEPARTMENT.
 - b) **NEVER PICK UP A FLAMING PAN** – You may be burned.
 - c) **DO NOT USE WATER**, including wet dishcloth or towels – a violent steam explosion will result.
 - d) Use an extinguisher only if:
 - 1 You know you have a Class ABC extinguisher, and you already know how to operate it.
 - 2 The fire is small and contained in the area where it started.
 - 3 The fire department is being called.
 - 4 You can fight the fire with your back to an exit.
- Make sure the room is properly ventilated when using the hood and other gas appliances at the same time.

Important Safety Instructions



- Comply with the regulations on air discharge when operating the hood.
- This appliance is not intended for use by people (including children) with reduced physical, sensory or mental capabilities, or lack of experience and knowledge, unless they have been given supervision or instruction concerning use of the appliance by a person responsible for their safety.
- Do not leave children unattended:
 - Children should not be left alone or unattended in the area where the appliance is being used. Never allow children to sit or stand on any part of the appliance.
- Never allow children to play with the appliance.
- Do not attempt to repair, disassemble or modify the appliance yourself.
- Do not use the appliance if the power plug or cord is damaged.
- Do not use electrical equipment inside the appliance.
- Use nonflammable cleaner.
- Do not store explosive or flammable substances, such as gasoline in or in the vicinity of this appliance or use gasoline or other flammable vapors or liquids in the vicinity of this or any other appliance.
- Do not store or use gasoline or other flammable vapors, liquids or materials near this or any other appliance.
- Do not store objects on the top of the appliance.
- Unplug your appliance before cleaning.
- Always unplug the appliance from the power mains in the event of a breakdown, maintenance, when replacing the light bulb or cleaning.
- Do not insert the power plug into a wall socket with wet hands.
- Inspect and clean the filters thoroughly and in accordance with the intervals suggested by the manufacturer.
- Do not store inflammable, explosive or volatile substances.
- Do Not Use Water on Grease Fires - Smother fire or flame or use dry chemical or foam-type extinguisher.



Important Safety Instructions

1.7 Usage cautions



CAUTION

- Wear proper apparel. Loose-fitting or hanging garments should never be worn while using the appliance.

1.8 Disposal Warning



DANGER

- Destroy or recycle the carton, plastic bags, and any exterior wrapping material immediately after the appliance is unpacked. Children should NEVER use these items to play. They can cause suffocation and death.

How to read the user manual

This user manual uses the following reading conventions:



Instructions

General information on this user manual, on safety and final disposal.



Description

Description of the appliance and its accessories.



Use

Information on the use of the appliance and its accessories.



Cleaning and maintenance

Information for proper cleaning and maintenance of the appliance.



Installation

Information for the qualified technician: Installation, operation and inspection.

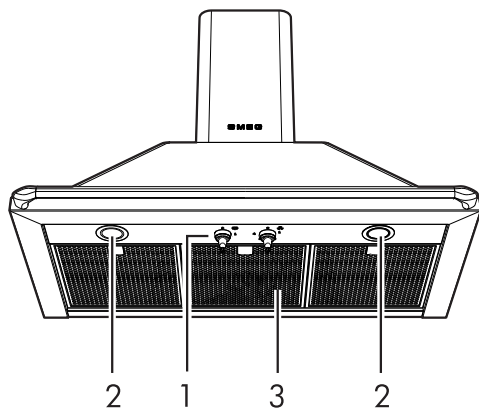
SAVE THESE INSTRUCTIONS



Description

2 Description

2.1 General Description

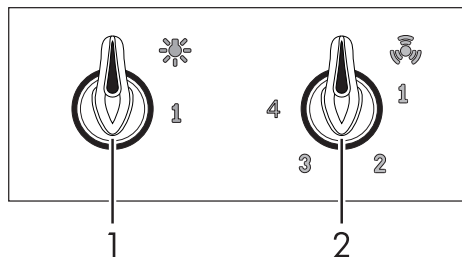


1 Control panel

2 Lamp

3 Metal filter

2.2 Control panel



1 Light knob

2 Fan Knob

Use



3 Use

3.1 Instructions

WARNING

- Do not use the hood without the metal filter installed.
- Do not cook or fry in a way that could result in flames being sucked into the hood and causing a fire.

Light knob

Turn the knob to turn the lights ON (1) or OFF (0).

Fan knob

Turn the fan knob for:

0 - Motor OFF

1-2-3-4 Speed adjustment



NOTE:

In order to achieve the best performance, it is recommended to start the hood a few minutes before starting cooking and keep it on for at least 15 minutes after finishing cooking or after all fumes and odours have disappeared.



4 Cleaning and maintenance

4.1 Instructions

WARNING

- Before starting operations make sure the electrical power supply to the appliance is disconnected.

CAUTION

- Do not use steam jets to clean the appliance.
- Do not use cleaning products containing chlorine, ammonia or bleach.
- Do not use rough or abrasive materials or sharp metal scrapers.

4.2 Cleaning the appliance



NOTE: To keep the appliance surfaces in good condition, they should be cleaned regularly after use. Let them cool first.

How to preserve the exterior finish of your exclusive

SMEG – DOLCE&GABBANA appliance

Use only a soft, dry cloth for normal cleaning of the surfaces. In the case of persistent residues or to restore the original outer finish, moisten a soft cloth with water and pass it over the surface to be cleaned, letting it dry naturally.

For more persistent stains such as grease/oil and any food residues (fruit juice, coffee, tomato), remove them immediately with a soft cloth and water. If the stains are not removed, moisten a soft rag with a window cleaner. Gently rub the surface to be treated, covering an area larger than just the stain. Do not spray the detergent directly on the stain.

Do not use abrasive, corrosive or acidic detergents, scouring powders, stain removers, creams or specific products for cleaning steel, ovens or dishes. Do not use rough or abrasive cloths and sponges or scouring pads. The use of abrasive products could irreparably damage the surface of the product.

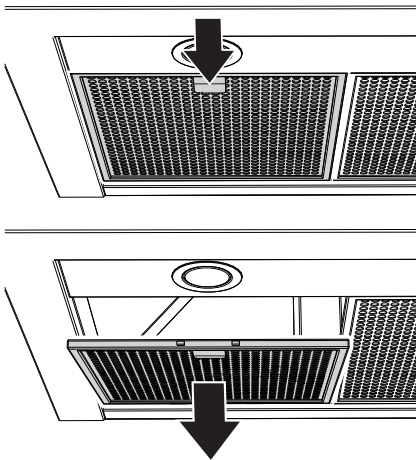
Metal filters cleaning

WARNING

- Before starting operations make sure the electrical power supply to the appliance is disconnected.

Special attention should be reserved to the metal grease filters. An excess of grease in the filter, as well as affecting the performance of the hood, can also be a fire risk. To avert fires, the filters must be cleaned regularly at least once a month or more frequently, in the case of a heavy use of the appliance.

Remove one filter at a time as shown in these pictures.



Wash the filters thoroughly with a non-bleach detergent, either by hand or machine. Re-assemble the filters, making sure that the handle faces the outside of the hood.

Replacing the optional carbon filters (for recirculated installation only)

WARNING

- Before starting operations make sure the electrical power supply to the appliance is disconnected.

The carbon filters are capable of retaining odors until the carbon reaches saturation level. They cannot be washed and they are not renewable, therefore, it is recommended to replace them at least every six months or more often if the hood is used often.

1. Access the active carbon filters by removing the metal filters as described above.
2. Tilt the two filters by 90° as shown in (fig.A) and then extract them from their housing.

Replacement lamps



NOTE:

The lights, if damaged, must be repaired by Technical Service only.



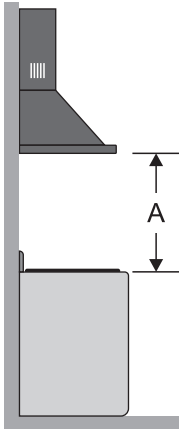
Installation

5 Installation

5.1 Positioning

WARNING

- Use two or more people to move and install this appliance.

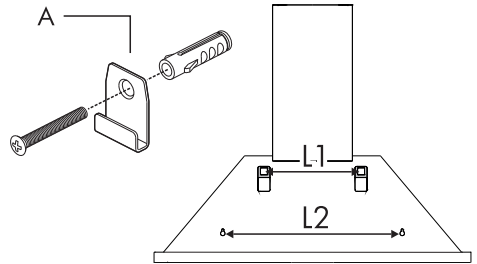


The minimum distance between the range and the lower part of the hood (measure A) must be:

for gas cooktops/ ranges	29 1/2" (750 mm)
for electric cooktops/ ranges	25 1/2" (650 mm)

The following instructions will assist installation:

1. The hood should be centered with respect to the range.
2. The hood is supplied with two supports/hooks (A) that need to be fixed to the wall by means of wall anchors. The L1 holes for these supports are on the back of the hood.



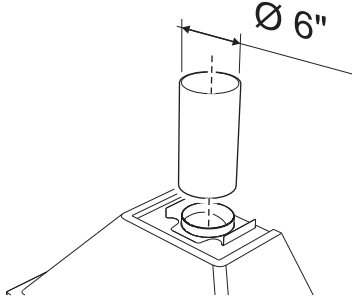
3. Remove the anti-grease filters, put the hood on the wall and mark the position of the holes for the supports/hooks.
4. Drill the two previously marked holes after removing the hood from the wall.
5. Fix the two supports/hooks to the wall.
6. Mark the L2 holes on the wall to fix the hood safely.
7. Drill and put the anchors in the holes.
8. Hang the hood on to the supports/hooks and level by means of the adjusting screw.
9. Fix the hood safe by tightening both wall anchors.



5.2 Air connection systems

Ducted mode

Connect the fume expulsion duct (inside diameter 6" Ø (150 mm Ø)) to the exhaust of the motor inlet.



NOTE:

The expulsion duct must not have a diameter of less than 5" Ø (120 mm Ø).

Recirculation mode

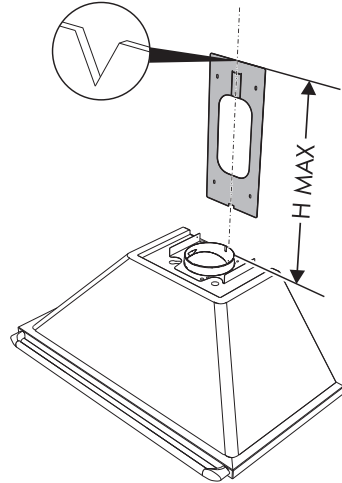
Leave the motor intake free. Install the optional active carbon filters.

! WARNING

- The hood is not supplied with an active carbon filter, it is necessary to buy it separately and assemble it before using the hood.

Chimney assembly

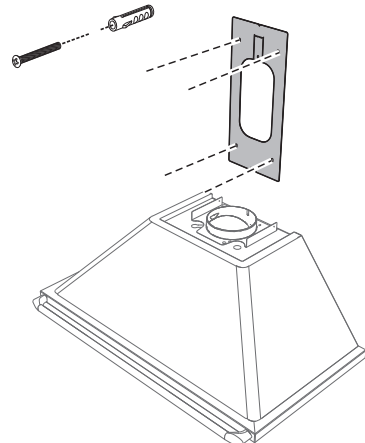
- Place the upper part of the plate at the maximum height that the chimney should reach.



NOTE:

Take care to align the center of the plate with the center of the appliance.

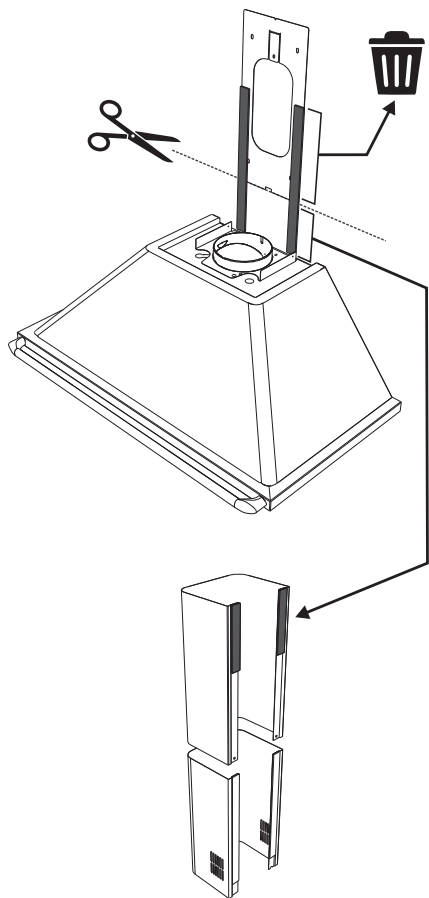
- Attach the plate with the provided plugs according to the type of wall.



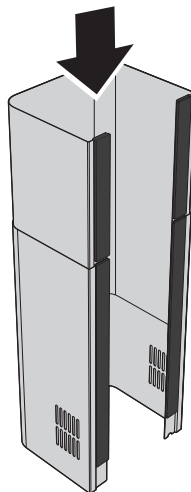


Installation

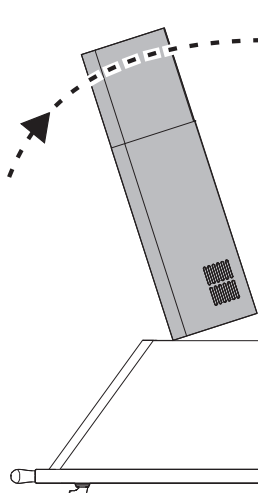
3. Cut out the magnetic strips after measuring the distance between the hood and the beginning of the plate.
4. Apply the newly cut magnetic strips to the top of the sliding chimney,



5. Insert the inner sliding chimney into its base.



6. Place the entire assembled chimney against the plate attached to the wall.





5.3 Electrical connection

DANGER

- Non-compliance with these instructions may result in death, fire or an electric shock.

WARNING

- Plug into a grounded 3-prong outlet.
- Do not remove ground prong.
- Do not use an adapter plug.
- Do not use an extension cord.
- Do not twist or tie the power cord.
- Do not pull or bend the power cord.
- The appliance must be connected to ground in compliance with electrical system safety standards.
- Do not pull the cable to remove the plug.

General information

- Check the mains characteristics against the data indicated on the plate.
The identification plate bearing the technical data, serial number and brand name is visibly positioned inside the appliance. Do not remove this plate for any reason.
- Make sure that the plug and socket are of the same type.
- The plug must always be accessible when the appliance is installed.
- If it is necessary to replace the power cable, **this must be performed by an authorized technician** from Technical Support Service.

Space for rating plate
Espace pour la plaque signalétique
Espacio para la placa de características

The manufacturer reserves the right to make any changes deemed useful for improvement of his products without prior notice. The illustrations and descriptions contained in this manual are therefore not binding and are merely indicative.

Le constructeur se réserve la faculté d'apporter, sans préavis, toutes les modifications qu'il jugera utiles pour l'amélioration de ses produits. Les illustrations et les descriptions figurant dans ce manuel ne sont pas contraignantes et n'ont qu'une valeur indicative.

El fabricante se reserva el derecho a aportar sin aviso previo todas las modificaciones que considere útiles para la mejora de sus propios productos. Las ilustraciones y las descripciones contenidas en este manual no comprometen, por tanto, al fabricante y tienen un valor meramente indicativo.

