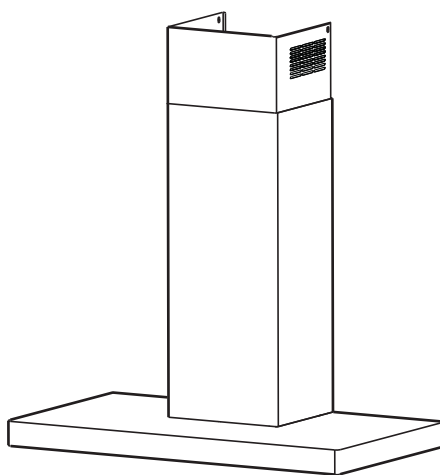




Libretto di Istruzioni
Instructions Manual
Bedienungsanleitung
Instrukcja Obsługi
Manual de instrucciones
Manual de Instruções
Manuel d'Instructions
Gebruiksaanwijzing
Bruksanvisning
Käyttöohje
Brugsvejledning
Bruksanvisning
Руководство по эксплуатации
دليل التركيب



KICT60BL - KICT90BL

INDICE

IT

CONSIGLI E SUGGERIMENTI.....	5
CARATTERISTICHE.....	8
INSTALLAZIONE.....	9
USO.....	12
MANUTENZIONE.....	13

INDEX

EN

RECOMMENDATIONS AND SUGGESTIONS.....	16
CHARACTERISTICS.....	19
INSTALLATION.....	20
USE.....	23
MAINTENANCE.....	24

INHALTSVERZEICHNIS

DE

EMPFEHLUNGEN UND HINWEISE.....	27
CHARAKTERISTIKEN.....	30
MONTAGE.....	31
BEDIENUNG.....	34
WARTUNG.....	35

SPIS TREŚCI

PL

UWAGI I SUGESTIE.....	38
WŁAŚCIWOŚCI TECHNICZNE.....	41
INSTALACJA.....	42
UŻYTKOWANIE.....	45
KONSERWACJA.....	46

ÍNDICE

ES

CONSEJOS Y SUGERENCIAS.....	49
CARACTERÍSTICAS.....	52
INSTALACIÓN.....	53
USO.....	56
MANTENIMIENTO.....	57

ÍNDICE

PT

CONSELHOS E SUGESTÕES.....	60
CARACTERÍSTICAS.....	63
INSTALAÇÃO.....	64
UTILIZAÇÃO.....	67
MANUTENÇÃO.....	68

SOMMAIRE

FR

CONSEILS ET SUGGESTIONS	71
CARACTERISTIQUES.....	74
INSTALLATION.....	75
UTILISATION	78
ENTRETIEN	79

INHOUDSOPGAVE

NL

ADVIEZEN EN SUGGESTIES	82
EIGENSCHAPPEN	85
INSTALLATIE.....	86
GEbruik	89
ONDERHOUD.....	90

INNHOOLD

NO

ANBEFALINGER OG FORSLAG	93
EGENSKAPER.....	96
INSTALLASJON.....	97
BRUK	100
VEDLIKEHOLD	101

SISÄLTÖ

FI

OHJEET JA SUOSITUKSET	104
MITAT JA OSAT	107
ASENNUS	108
KÄYTTÖ	111
HUOLTO	112

INDHOLD

DK

RÅD OG ANVISNINGER.....	115
APPARATBESKRIVELSE	118
INSTALLATION.....	119
BRUG	122
VEDLIGEHOLDELSE	123

INNEHÅLL

SE

REKOMMENDATIONER OCH TIPS	126
EGENSKAPER.....	129
INSTALLATION.....	130
ANVÄNDING.....	133
UNDERHÅLL.....	134

УКАЗАТЕЛЬ

RU

СОВЕТЫ И РЕКОМЕНДАЦИИ	137
ХАРАКТЕРИСТИКИ	140
УСТАНОВКА	141
ЭКСПЛУАТАЦИЯ	144
УХОД	145

الفهرس

SA

اقتراحات وارشادات	148
الخصائص	151
التركيب	152
الاستخدام	155
الصيانة عملية	156

RECOMMENDATIONS AND SUGGESTIONS

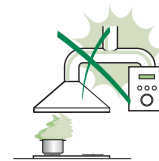
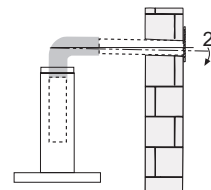
- △ The Instructions for Use apply to several versions of this appliance. Accordingly, you may find descriptions of individual features that do not apply to your specific appliance.

INSTALLATION

- The manufacturer will not be held liable for any damages resulting from incorrect or improper installation.
- The minimum safety distance between the cooker top and the extractor hood is 650 mm (some models can be installed at a lower height, please refer to the paragraphs on working dimensions and installation).
- Check that the mains voltage corresponds to that indicated on the rating plate fixed to the inside of the hood.
- For Class I appliances, check that the domestic power supply guarantees adequate earthing.

Connect the extractor to the exhaust flue through a pipe of minimum diameter 120 mm. The route of the flue must be as short as possible.

- Do not connect the extractor hood to exhaust ducts carrying combustion fumes (boilers, fireplaces, etc.).
- If the extractor is used in conjunction with non-electrical appliances (e.g. gas burning appliances), a sufficient degree of aeration must be guaranteed in the room in order to prevent the backflow of exhaust gas. The kitchen must have an opening communicating directly with the open air in order to guarantee the entry of clean air. When the cooker hood is used in conjunction with appliances supplied with energy other than electric, the negative pressure in the room must not exceed 0,04 mbar to prevent fumes being drawn back into the room by the cooker hood.
- The air must not be discharged into a flue that is used for exhausting fumes from appliances burning gas or other fuels (not applicable to appliances that only discharge the air back into the room).
- In the event of damage to the power cable, it must be replaced by the manufacturer or by the technical service department, in order to prevent any risks.



- If the instructions for installation for the gas hob specify a greater distance specified above, this has to be taken into account. Regulations concerning the discharge of air have to be fulfilled.
- Use only screws and small parts in support of the hood.
Warning: Failure to install the screws or fixing device in accordance with these instructions may result in electrical hazards.
- Connect the hood to the mains through a two-pole switch having a contact gap of at least 3 mm.

USE

- The extractor hood has been designed exclusively for domestic use to eliminate kitchen smells.
- Never use the hood for purposes other than for which it has been designed.
- Never leave high naked flames under the hood when it is in operation.
- Adjust the flame intensity to direct it onto the bottom of the pan only, making sure that it does not engulf the sides.
- Deep fat fryers must be continuously monitored during use: overheated oil can burst into flames.
- Do not flambè under the range hood; risk of fire.
- This appliance can be used by children aged from 8 years and above and persons with reduced physical, sensory or mental capabilities or lack of experience and knowledge if they have been given supervision or instruction concerning use of the appliance in a safe way and understand the hazards involved. Children shall not play with the appliance. Cleaning and user maintenance shall not be made by children without supervision.
- This appliance is not intended for use by persons (including children) with reduced physical, sensory or mental capabilities, or lack of experience and knowledge, unless they have been given supervision or instruction concerning use of the appliance by a person responsible for their safety.




- “**CAUTION:** Accessible parts may become hot when used with cooking appliances.”

MAINTENANCE

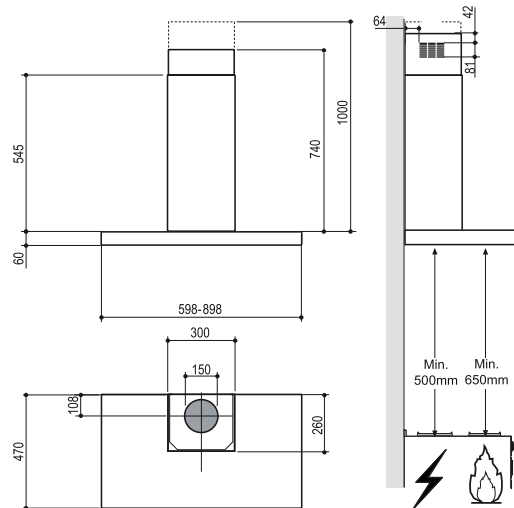
- Switch off or unplug the appliance from the mains supply before carrying out any maintenance work.
- Clean and/or replace the Filters after the specified time period (Fire hazard).
- The Grease filters must be cleaned every 2 months of operation, or more frequently for particularly heavy usage, and can be washed in a dishwasher.
- The Activated charcoal filter is not washable and cannot be regenerated, and must be replaced approximately every 4 months of operation, or more frequently for particularly heavy usage.
- "Failure to carry out cleaning as indicated will result in a fire hazard".
- Clean the hood using a damp cloth and a neutral liquid detergent.



The symbol  on the product or on its packaging indicates that this product may not be treated as household waste. Instead it shall be handed over to the applicable collection point for the recycling of electrical and electronic equipment. By ensuring this product is disposed of correctly, you will help prevent potential negative consequences for the environment and human health, which could otherwise be caused by inappropriate waste handling of this product. For more detailed information about recycling of this product, please contact your local city office, your household waste disposal service or the shop where you purchased the product.

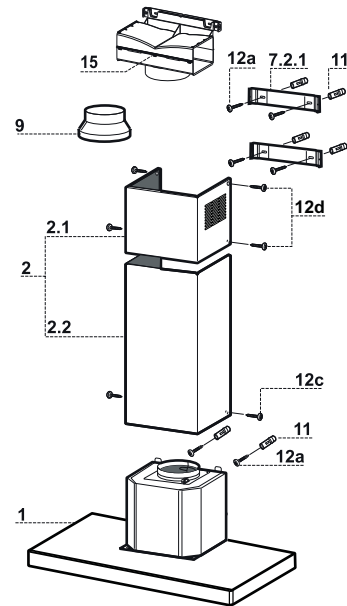
CHARACTERISTICS

Dimensions



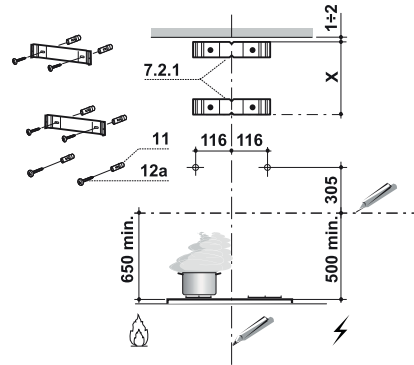
Components

Ref.	Q.ty	Product Components
1	1	Hood Body, complete with: Controls, Light, Blower, Filters
2	1	Telescopic Chimney comprising:
2.1	1	Upper Section
2.2	1	Lower Section
9	1	Reducer Flange \varnothing 150-120 mm
15	1	Air Outlet Connection
Ref.	Q.ty	Installation Components
7.2.1	2	Upper Chimney Section Fixing Brackets
11	6	Wall Plugs
12a	6	Screws 4,2 x 44,4
12c	2	Screws 2,9 x 9,5
12d	4	Screws 2,9 x 9,5
Q.ty	Documentation	
1	Instruction Manual	



INSTALLATION

Wall drilling and bracket fixing

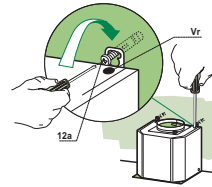


Wall marking:

- Draw a vertical line on the supporting wall up to the ceiling, or as high as practical, at the centre of the area in which the hood will be installed.
- Draw a horizontal line at 500-650 mm above the hob. Place bracket **7.2.1** on the wall as shown about 1-2 mm from the ceiling or upper limit aligning the centre (notch) with the vertical reference line.
- Mark the wall at the centres of the holes in the bracket.
- Place bracket **7.2.1** on the wall as shown at X mm below the first bracket (X = height of the upper chimney section supplied), aligning the centre (notch) with the vertical line.
- Mark the wall at the centres of the holes in the bracket.
- Mark a reference point as indicated at 116 mm from the vertical reference line and 305 mm above the horizontal reference line.
- Repeat this operation on the other side.
- Drill \varnothing 8 mm holes at all the centre points marked.
- Insert the wall plugs **11** in the holes.
- Fix the brackets using the **12a** (4,2 x 44,4) screws supplied.
- Insert the two screws **12a** (4,2 x 44,4) supplied in the hood body fixing holes, leaving a gap of 5-6 mm between the wall and the head of the screw.

Mounting the hood body

- Before attaching the hood body, tighten the two screws **Vr** located on the hood body mounting points.
- Hook the hood body onto the screws **12a**.
- Fully tighten the support screws **12a**.
- Adjust the screws **Vr** to level the hood body.

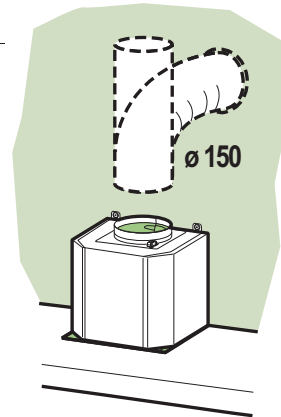


Connections

DUCTED VERSION AIR EXHAUST SYSTEM

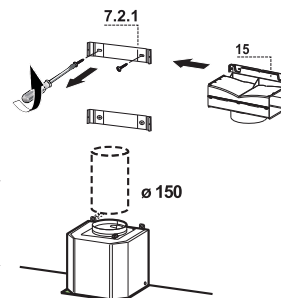
When installing the ducted version, connect the hood to the chimney using either a flexible or rigid pipe \varnothing 150 mm, the choice of which is left to the installer.

- Fix the pipe in position using sufficient pipe clamps (not supplied).
- Remove any activated charcoal filters.



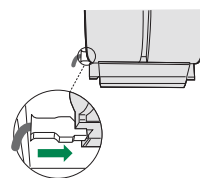
AIR OUTLET – RECIRCULATION VERSION

- Unfasten the 2 screws fixing the upper bracket **7.2.1**.
- Fasten the air outlet connector **15** in its place, using the 2 screws removed as above.
- Join the Connector **15** to the Hood canopy outlet using a rigid or flexible pipe \varnothing 150 mm, selection of which is at the discretion of the installation technician.
- Make sure that the Activated charcoal odour filter has been fitted.



ELECTRICAL CONNECTION

- Connect the hood to the mains through a two-pole switch having a contact gap of at least 3 mm.
- Remove the grease filters (see paragraph Maintenance) being sure that the connector of the feeding cable is correctly inserted in the socket placed on the side of the fan.



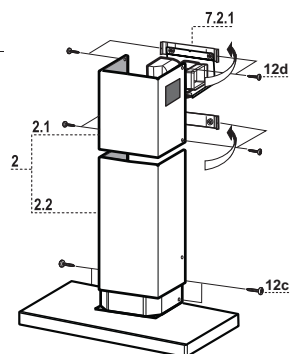
Flue assembly

Upper exhaust flue

- Slightly widen the two sides of the upper flue and hook them behind the brackets **7.2.1**, making sure that they are well seated.
- Secure the sides to the brackets by using the 4 screws **12d** (2,9 x 9,5) supplied.
- Make sure that the outlet of the extensions pieces is aligned with the chimney outlets.

Lower exhaust flue

- Slightly widen the two sides of the flue and hook them between the upper flue and the wall, making sure that they are well seated.
- Fix the lower part laterally to the hood body by using the 2 screws **12c** (2,9 x 9,5) supplied.



USE



Control panel

Button	Function	Led
A	Turns the Motor off.	The Leds indicating the Speed of the motor turn off.
B	Activates speed one.	The Leds indicating Speed one and Motor Off turn on.
C	Activates speed two.	The Leds indicating Speed two and Motor Off turn on.
D	Activates speed three.	The Leds indicating Speed three and Motor Off turn on.
E	Activates Intensive speed. This speed is timed to run for 6 minutes. At the end of this time the system will automatically return to the speed set before. It is disabled by pressing the Button or turning the Motor off.	Flashes once a second.
F	Starts the 24H function, in which the motor starts at a speed that allows suction of 100 m ³ /h for 10 minutes per hour. To turn it off press the button again.	The Leds indicating F speed and Motor Off turn on.
	When the filters alarm is triggered, the alarm can be reset by pressing and holding this button for approximately 5 seconds. Led A flashes three times. These indications are only visible when the motor is turned off.	When the procedure terminates, the indication shown previously turns off: F Flashing Indicates the need to change the activated charcoal filters, and also to wash the metal grease filters. The alarm is triggered after the Hood has been in operation for 100 working hours.
G	Activates Delay mode, causing automatic shutdown of the Motor and the Lighting system with a 30' delay. It is disabled by pressing the button or turning the motor off. This mode does not function if Intensive or 24h is active.	Led G turns on, and the button for the selected speed flashes every 0.5"
H	Turns the lighting system on and off at maximum intensity.	The Lighting Led lights up.

On start-up the board recognises the mains frequency.

Recognition is indicated on the display:

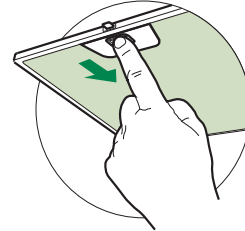
- 50Hz: LED A flashes once
- 60Hz : LED A flashes twice

MAINTENANCE

Grease filters

CLEANING METAL SELF- SUPPORTING GREASE FILTERS

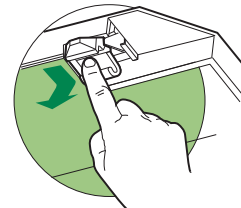
- The filters must be cleaned every 2 months of operation, or more frequently for particularly heavy usage, and can be washed in a dishwasher.
- Remove the filters one at a time by pushing them towards the back of the group and pulling down at the same time.
- Wash the filters, taking care not to bend them. Allow them to dry before refitting.
- When refitting the filters, make sure that the handle is visible on the outside.



Activated charcoal filter (Recirculation version)

REPLACING THE ACTIVATED CHARCOAL FILTER

- The filter is not washable and cannot be regenerated, and must be replaced approximately every 4 months of operation, or more frequently for particularly heavy usage.
- Remove the metal grease filters.
- Remove the saturated activated carbon filter by releasing the fixing hooks.
- Fit the new filter by hooking it into its seating.
- Refit the metal grease filters.



Lighting unit

- For replacement contact technical support ("To purchase contact technical support").

Auto-Vent

It is an advanced automatic function which connects the hob to a special hood. Both the hob and the hood have an infrared signal communicator. Speed of the fan is defined automatically on basis of mode setting and temperature of the hottest cookware on the hob. You can also operate the fan from the hob manually.

Operating the function automatically

To operate the function automatically set the automatic mode to H1 – H6. The hob is originally set to H5. The hood reacts whenever you operate the hob. The hob recognizes temperature of the cookware automatically and adjusts the speed of the fan.

Automatic modes





	Auto- matic light	Boil- ing ¹⁾	Fry- ing ²⁾
Mode H0	Off	Off	Off
Mode H1	On	Off	Off
Mode H2 ³⁾	On	Fan speed 1	Fan speed 1
Mode H3	On	Off	Fan speed 1
Mode H4	On	Fan speed 1	Fan speed 1
Mode H5	On	Fan speed 1	Fan speed 2
Mode H6	On	Fan speed 2	Fan speed 3


¹⁾ The hob detects the boiling process and activates fan speed in accordance with automatic mode.


²⁾ The hob detects the frying process and activates fan speed in accordance with automatic mode.

³⁾ This mode activates the fan and the light and does not rely on the temperature.





Changing the automatic mode


1. Deactivate the appliance.
2. Touch  for 3 seconds. The display comes on and goes off.
3. Touch  for 3 seconds.
4. Touch **TIMER** a few times until  comes on.
5. Touch  of the Timer to select an automatic mode.

 To operate the hood directly on the hood panel deactivate the automatic mode of the function.

-  When you finish cooking and deactivate the hob, the hood fan may still operate for a certain period of time. After that time the system deactivates the fan automatically and prevents you from accidental activation of the fan for the next 30 seconds.


Operating the fan speed manually

You can also operate the function manually. To do that touch  when the hob is active. This deactivates automatic operation of the function and allows you to change the fan speed manually. When you press  you raise the fan speed by one. When you reach an intensive level and press  again you will set fan speed to 0 which deactivates the hood fan. To start the fan again with fan speed 1 touch .

-  To activate automatic operation of the function, deactivate the hob and activate it again.

Activating the light

You can set the hob to activate the light automatically whenever you activate the hob. To do so set the automatic mode to H1 – H6.

-  The light on the hood deactivates 2 minutes after deactivating the hob.