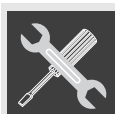


1. SAFETY INSTRUCTIONS	20
2. INTENDED USE OF THE FREEZER	21
3. INSTALLATION AND CONNECTION	22
3.1 Choice of location	22
3.2 Positioning and levelling the appliance	23
3.3 Electrical connection	24
4. PRODUCT DESCRIPTION	25
4.1 CVB 20	25
4.2 Controls	25
4.3 Drawers / Door compartments	26
4.4 Shelf for ice and eutectic salts	26
5. USING THE FREEZER	27
5.1 Turning on the freezer	27
5.2 Adjustment and selection of the cooling temperature	27
6. FREEZING OF FOODS	28
6.1 Arranging foods in the freezer	28
6.2 Keeping deep-frozen foods	28
6.3 Defrosting deep-frozen foods	29
6.4 Making ice cubes	29
7. MAINTENANCE AND CLEANING	30
7.1 Defrosting the freezer	30
7.2 Cleaning the freezer	31
7.3 Turning off the freezer	32
7.4 Practical advice on energy saving	32
7.5 Noises during operation	32
7.6 Identifying and eliminating any operational faults	32
8. TROUBLESHOOTING	33



INSTRUCTIONS FOR THE USER: recommendations for use, description of the controls and of the correct procedures for cleaning and maintenance of the appliance.



INSTRUCTIONS FOR THE INSTALLER: these are for the qualified technician who must carry out installation, commissioning and testing of the appliance.



Additional product information is available at www.smeg.it



1. SAFETY INSTRUCTIONS

Keep the instruction booklet in a safe place as it contains important instructions which must be followed when installing, using and maintaining the freezer. The manual must be kept so that it can be handed over to any future owners of the appliance.

The manufacturer cannot be held liable if the following notices are not respected:

- Do not use a damaged appliance – in the case of any doubts, contact the retailer.
- The appliance must be installed and connected to the power grid in accordance with the instructions in the manual. The electrical connection conditions must match the data provided on the nameplate **located at the top left inside the freezer**. The electrical safety of the appliance is only guaranteed if the electrical equipment is properly earthed.
- Do not use single or multiple adaptors or extension cables.
- Disconnection from the electricity supply must be possible either by pulling out the plug or via a bipolar circuit breaker located upstream of the plug socket.
- Ensure that repairs and maintenance are carried out by **authorised technicians from Smeg's technical support service only**. Always disconnect the appliance from the mains in the event of a breakdown or maintenance, or during cleaning. Never use electrical equipment or steam cleaners for defrosting. Do not remove frost or ice using sharp objects **as these may cause irreparable damage to the walls of the freezer**.
- Do not attempt to move the freezer by pulling on the door or the handle.
- Keep alcoholic liquids with a high alcohol content hermetically sealed and always in a vertical position. Do not keep liquids in tins or glass containers in the freezer, especially carbonated drinks. Do not keep products containing gases, flammable propellants or explosive substances in the freezer: an explosion may occur!
- Electrical appliances (e.g. ice cream machines or blenders) may not be used inside the appliance.
- Do not obstruct or cover the air circulation pipes in any way as these are required for the proper operation of the freezer.
- Do not touch frozen products removed straight from the freezer or put them in your mouth. There is a risk of burns due to the ultra-low temperatures.
- Do not consume food with an unusual appearance or smell.
- This appliance is not suitable for use by persons (including children) with reduced physical, sensory or mental capacity, or by those without experience or knowledge, unless they are supervised or instructed on the use of the appliance by a person responsible for their safety.
- Children should be supervised to ensure that they do not play with the appliance.
- Install the product and ensure that it is level on a floor that is capable of bearing its weight and in a suitable environment for its size and use.
- The product must be moved and installed by two or more people.
- Do not damage the freezer coolant loop tubes.
- Do not ingest the (non-toxic) liquid in the coolant accumulators (if there are any).

If there is a power failure, open the door as little as possible. Frozen food which has partially or completely defrosted must not be refrozen.



Warning:

this freezer contains a small quantity of isobutane (R600a), a CFC-free gas refrigerant. During transport, installation, cleaning and repair of the freezer, pay attention to avoid damaging any part of the coolant loop in order to prevent a gas leak. In the event of damage, avoid the use of naked flames and ventilate the area where the appliance is located.



2. INTENDED USE OF THE FREEZER

The appliance has been specifically produced for domestic use and it is therefore suitable for freezing and preserving fresh and deep-frozen foods and producing ice cubes. The appliance is not designed and manufactured for professional use. Smeg cannot be held liable for any damage incurred as a result of incorrect use of the appliance. The freezer has undergone the necessary leakage tests for the coolant loop and meets the safety requirements applicable to electrical appliances.



Warning:

The manufacturer shall not be held liable for any personal injury or property damage caused by failure to observe the above requirements or by tampering with any part of the appliance or the use of non-original spare parts.

INSTRUCTIONS FOR DISPOSAL – OUR ENVIRONMENTAL CARE

Non-polluting materials are used in the packaging of our freezers to ensure that they are environmentally friendly and recyclable. Please help by disposing of the packing correctly. Ask your supplier or the relevant organisations in your area for the addresses of collection, recycling and disposal centres. Do not throw the packing or any part of it away. It can present a risk of suffocation for children, especially in the case of plastic bags.

Your old appliance also needs to be disposed of correctly.

Important: hand over your appliance to the local agency authorised for the collection of disused electrical appliances. Proper disposal will enable valuable materials to be recovered. Refrigeration appliances contain gases that can be harmful to the environment, so you need to ensure that the tubes in the coolant loop are not damaged before the relevant organisation takes the appliance away.

Before throwing away your freezer it is important to remove the door and leave the drawers in their normal use positions in order to prevent children from becoming trapped inside while playing. The power grid connection cable must also be removed and disposed of separately together with the plug.



THIS APPLIANCE IS IDENTIFIED IN ACCORDANCE WITH EUROPEAN DIRECTIVE 2002/96/EC ON WASTE ELECTRICAL AND ELECTRONIC EQUIPMENT (WEEE). THIS GUIDELINE IS THE FRAME OF A EUROPEAN-WIDE VALIDITY OF RETURN AND RECYCLING ON WASTE ELECTRICAL AND ELECTRONIC EQUIPMENT.



3. INSTALLATION AND CONNECTION

3.1 Choice of location

Always locate the freezer in a dry, sufficiently ventilated area. Ensure that it is not directly exposed to the sun's rays and do not place it outdoors. Depending on the climate class to which it belongs (indicated on the nameplate inside the freezer), the appliance can be used in various temperature conditions:

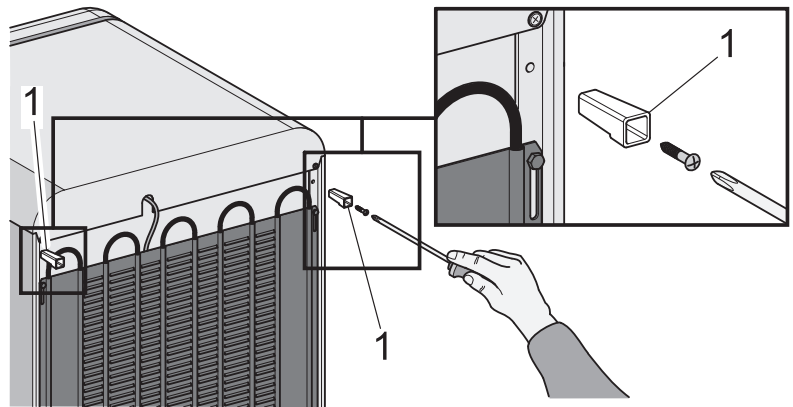
Class	Room temperature
SN (Subnormal)	from + 10°C to + 32°C
N (Normal)	from + 16°C to + 32°C
ST (Subtropical)	from + 18°C to + 38°C
T (Tropical)	from + 18°C to + 43°C

Do not locate the freezer near a heat source. If this is unavoidable, in order to prevent the proper operation of the product from being compromised, a suitable insulation board must be used. Otherwise, locate the appliance at least 3 cm away from electrical or gas cookers and at least 30 cm away from combustion heaters or radiators.

To ensure that the condenser cools properly, the freezer must not be located too close to the wall. To avoid this, the product is equipped with two plastic spacers **(1)** which must be placed on the upper part of the condenser. If the freezer is installed under a wall unit, the two must be at least 5 cm apart.

Take care when installing the appliance on parquet or linoleum to avoid scratching or otherwise damaging the floor. When positioning the freezer, use pieces

of wood or carpet to slide it to the appropriate point for connection to the power grid, if necessary.



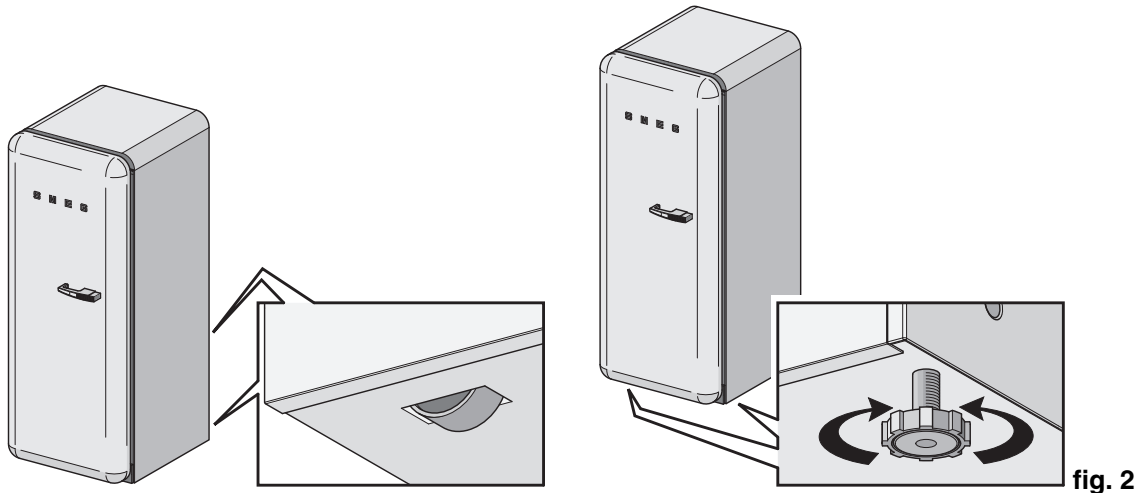


3.2 Positioning and levelling the appliance

When positioning the product, ensure that it does not damage the power cable.

Two rollers are fitted at the back of the product's base (**fig. 1**) to make it more stable and easier to move, and therefore to make it possible to position it properly. However, you are advised to be very careful when moving the product so that the sliding motion does not damage the floor (e.g. if the freezer is placed on a parquet floor).

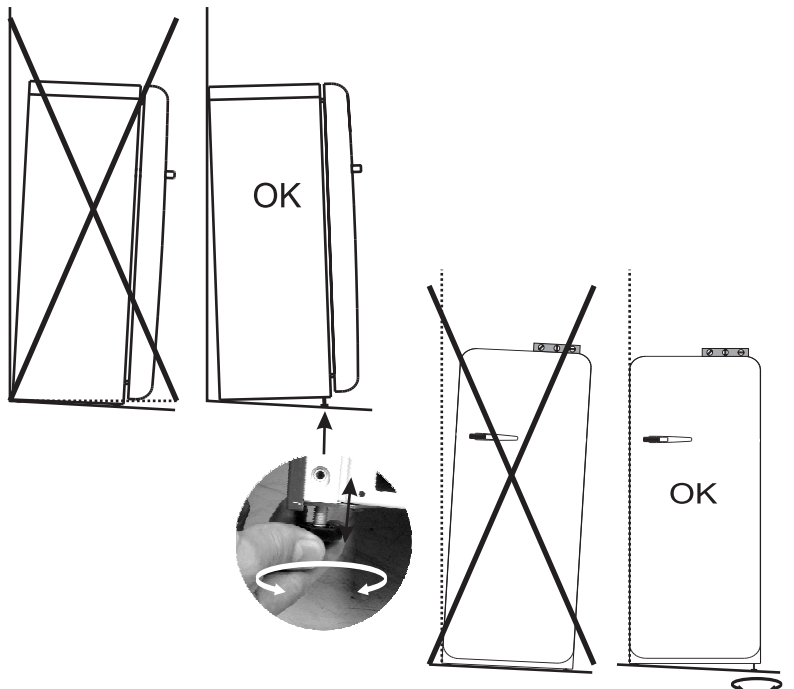
Place the freezer on a stable, level base. The freezer is equipped with two adjustable feet at the front (**fig. 2**) to compensate for any irregularities in the flooring.



The adjustable feet enable the front part of the freezer to be raised and therefore tilted back, to facilitate proper door closure.

If the feet are not high enough to stabilise the freezer (e.g. if the floor is very uneven), or to tilt it backwards, a shim made of a rigid material (plastic or wood) will need to be inserted underneath the feet in order to further raise the front of the freezer.

In order for the freezer to be installed correctly, the door must be able to close properly. A check must be made to ensure that the door seals close hermetically, especially at the corners. If they do not close properly, check to make sure that there are no product processing residues or packaging residues between the seal and the freezer itself.



Warning:
Force should not be used in adjusting the seals. Do not tear or detach the seal from the door.



A few days after installation, check that the initial level adjustment is still correct. Make sure that the freezer is still stable and the door seals still close hermetically when it is in operation and loaded with food. If necessary, re-adjust the level and the door seals as shown below.

If necessary, adjust the seal with your fingers as in figures 3 and 4.

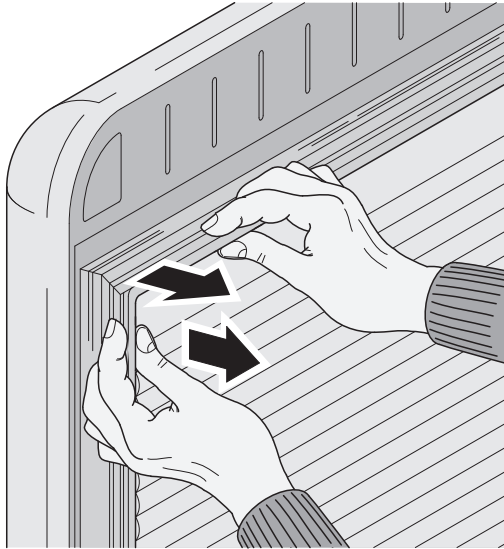


fig. 3

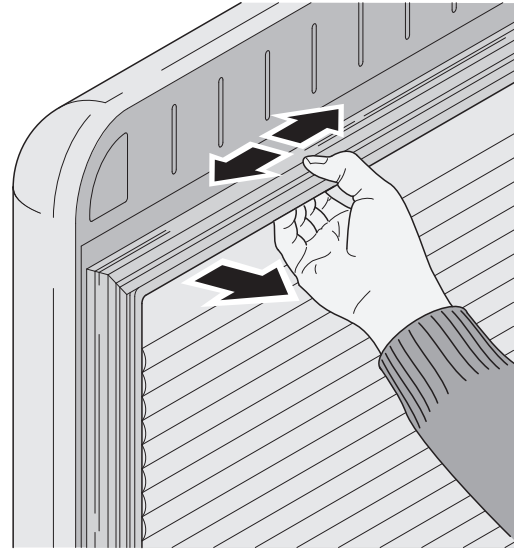


fig. 4

3.3 Electrical connection

Leave the freezer in a vertical position for at least two hours before turning it on for the first time. Connect the power cable of the appliance to an earthed electrical socket, installed in accordance with electrical safety standards. The rated voltage and frequency are indicated on the nameplate inside the freezer. The appliance must be connected to the power grid and earthed in accordance with the applicable standards and requirements. The appliance can withstand brief undervoltages of no more than 15% and overvoltages of no more than 10% the rated voltage stated on the nameplate. If the power cable needs to be changed, this procedure must only be carried out by an **authorised technician from Smeg's technical support service**.

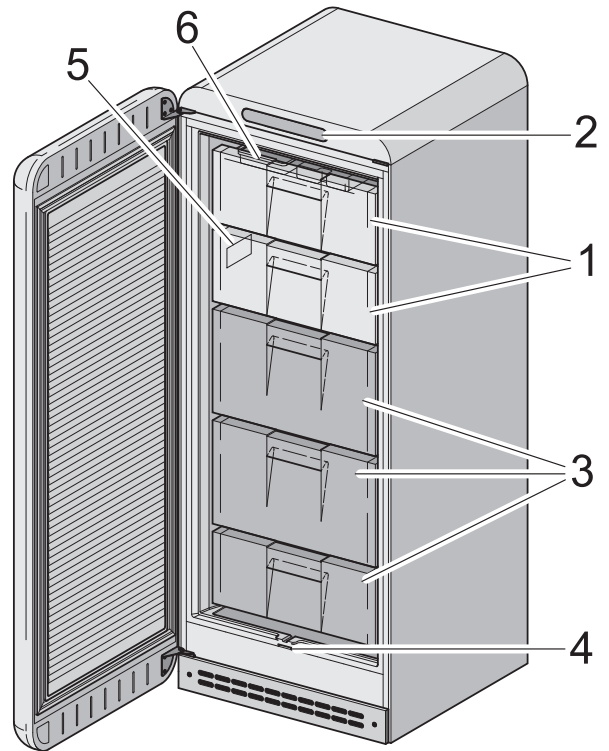
The plug must be accessible when the appliance is installed.



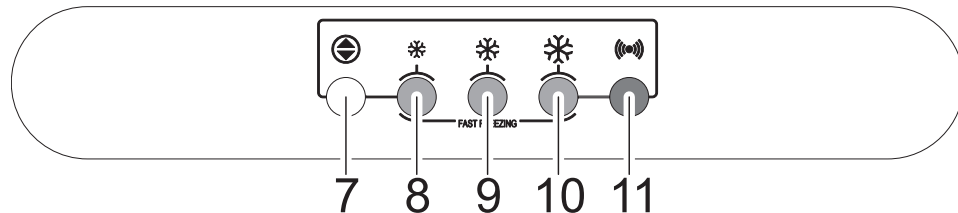
4. PRODUCT DESCRIPTION

4.1 CVB 20

- 1 Freezing area for deep-frozen foods and fresh foods; compartments with doors.
- 2 Control unit.
- 3 Area for keeping fresh foods; pull-out drawers.
- 4 Defrosted water outlet.
- 5 Serial number plate (located inside the appliance).
- 6 Eutectic salt container (if provided) and/or ice cube container.



4.2 Controls



- 7 Button for turning the appliance on and off, setting the temperature and setting the “rapid freeze” function.
- 8 High temperature green indicator light (less cold).
- 9 Medium temperature green indicator light (cold).
- 10 Low temperature green indicator light (colder).
- 11 Temperature alarm red warning light.



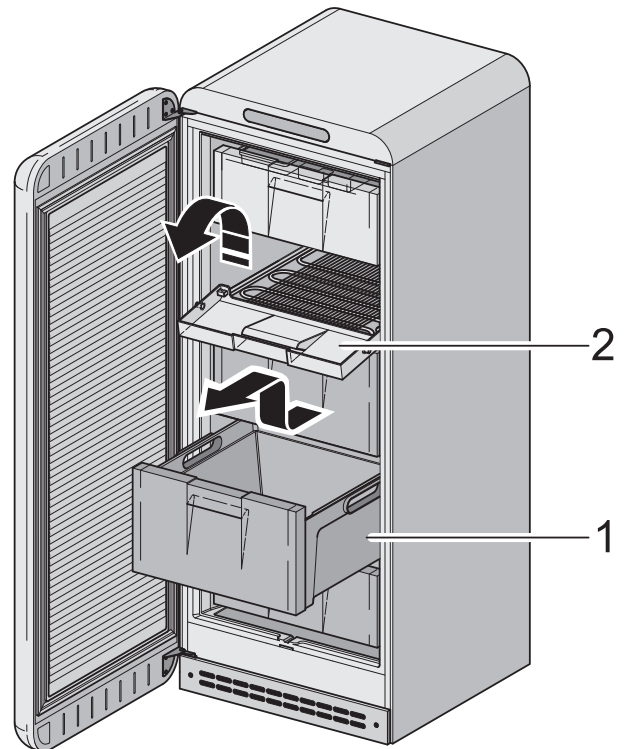
Note:
all green lights lit indicate that the rapid freeze function is active



4.3 Drawers / Door compartments

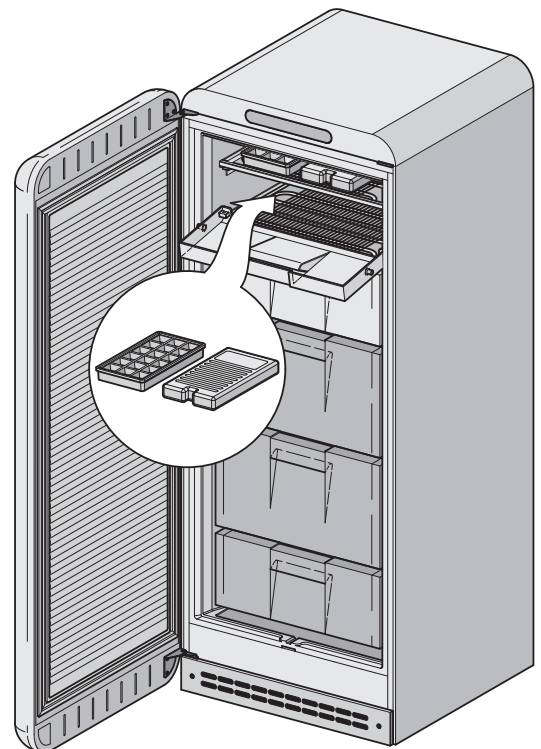
Every freezer is equipped with multiple drawers and compartments with doors.

To open the door compartments (2), just raise the door slightly and pull it outwards. All the drawers have a protective mechanism to prevent them from being pulled out completely or by accident. To remove the drawers (1), just slide them out until they stop, lift them at the back and take them out. In order to remove all the internal accessories, the door needs to be fully open.



4.4 Shelf for ice and eutectic salts

This shelf is for the ice cube tray and for holding eutectic salts (if present).





5. USING THE FREEZER

5.1 Turning on the freezer



Note
Clean the inside of the freezer before use

- Insert the plug into the socket.
- Open the door and press the button **(7)** to turn the appliance on.
- The red light **(11)** will flash as the inside of the freezer is not yet cold enough to put in food.
- Start the “Rapid freeze” function by repeatedly pressing the button **(7)** until the green lights **(8-9-10)** flash and then remain on.
- Once the freezing temperature has been reached, the red light **(11)** will go out.
- Only put food into the freezer when the red light goes out.
- When the red light goes out, press the button **(1)** again to turn off the “Rapid freeze” function.



Note
It generally takes approximately 24 hours to reach freezing temperature. The surrounding temperature, the frequency with which the door is opened and the location of the appliance can affect the internal temperature of the freezer and therefore the amount of time required to reach freezing temperature.



Note:
When freezing temperature is reached, the “Rapid freeze” function should be turned off in order to avoid unnecessary electricity consumption. In any case, this function will be deactivated automatically after 48 hours.



Note
Reopening the freezer door immediately after closing it may be difficult. Please wait 2 or 3 minutes to enable the low pressure which has formed to be compensated for.

5.2 Adjustment and selection of the cooling temperature

Use the button at the top of the freezer, visible with the door open, to adjust the cooling temperature inside the freezer.

Settings vary according to the temperature adjustment **(8-9-10)**.

There is no direct correspondence between the setting chosen and the temperature inside the freezer. By selecting a higher number, the temperature in the freezer will be lowered. Select the highest setting **(10)** only if absolutely necessary, as this will lead to increased power consumption. In normal conditions of use, you are advised to select the low or medium setting **(8-9)**, which will be appropriate for fresh foods in the preservation area and deep-frozen foods in the freezer area.



Warning
The internal temperature of the freezer area is controlled by the main thermostat.



Important
Changing the climate conditions (temperature and humidity) and the frequency with which the door is opened can affect the operating temperature of the freezer.



6. FREEZING OF FOODS

To keep and freeze foods properly, you are advised to pack fruit and vegetables in portions of no more than 1 kg and meat and fish in portions of up to 2 kg. Smaller food packages freeze more quickly which means that the foods' nutritional and taste properties are preserved better, including after defrosting and preparation. Only use suitable freezer bags, tinfoil, cling-film for use with food, and freezer containers. Do not use paper bags, cellophane bags for non-food use and shopping bags or pre-used freezer bags. Package foods in hermetically sealed packages, attempting to ensure that all air is expelled. If using bags, close them with suitable elastic bands or wire ties. Always allow hot foods to cool down to room temperature before putting them in the freezer and ensure that foods which are already frozen do not come into contact with fresh foods for freezing. Always write the date of freezing, the quantity and product on the package, and make sure that foods are fresh and whole. The maximum quantity of fresh foods which can be frozen within a 24-hour period is indicated on the nameplate. Do not exceed the indicated quantity: this can have a negative effect on the efficiency of the freezer and its ability to preserve the deep-frozen foods which are already in it.

Foods must be fresh, ripe and of good quality. Fresh fruit and vegetables must be frozen immediately after picking, where possible, in order to maintain their nutrients, shape, texture, colour and flavour.

It is advisable to hang meat and game for a sufficient period before freezing it.

Consume defrosted or partially defrosted foods immediately. Do not refreeze them unless the defrosted food is for use in preparing a ready meal. Once cooked, the defrosted food can be refrozen.

Do not refreeze partially defrosted foods; these must be consumed within 24 hours.

Keep temperature variations to a minimum.

Respect the expiry date on food packaging.

6.1 Arranging foods in the freezer

Arrange the foods in the various compartments, taking care to pack and cover them in such a way that they are hermetically sealed. This precaution ensures that:

- the flavour, moisture and freshness of the foods is preserved;
- any contamination of foods with odours or tastes from other foods can be avoided;

Only use containers suitable for keeping food in. Always allow hot foods and drinks to cool at room temperature before putting them in the freezer.

Do not keep explosive substances in the appliance and only keep drinks with a high alcohol content in it if they are properly closed and kept vertical.

Eutectic salts (if present) and the ice cube tray should be placed in the spaces provided (above the top shelf).

6.2 Keeping deep-frozen foods

When buying deep-frozen foods, always make sure that the packaging is not damaged, the product has not past its expiry date and the thermometer of the freezer in which the food is displayed for sale does not indicate a temperature above -18°C . Also note the manufacturer's instructions regarding temperature, period for which the food can be kept and consumption methods. You are also advised to protect the foods you have bought with suitable insulated containers during transport to avoid defrosting. A temperature increase may reduce its storage time and affect its quality.

Do not purchase frozen foods which are carrying too much frost; they might already have been thawed.



Important

To find out how long fresh frozen foods can be stored, see the table below. All the figures given refer to the product operating without eutectic salts, excluding temperature adjustment time.



FOOD	STORAGE PERIOD (IN MONTHS)											
	1	2	3	4	5	6	7	8	9	10	11	12
Vegetables								+	+	+		
Fruit										+	+	+
Bread and confectionery			+									
Milk			+									
Ready meals			+									
Meat: beef										+	+	+
veal								+	+	+		
pork				+	+	+						
poultry								+	+	+		
game						+	+	+				
minced meat				+								
Smoked sausage	+											
Fish: oily			+									
non-oily	+											
Chitterlings		+										



Warning

To avoid any alterations in the quality of frozen foods, do not exceed the permitted storage period, which varies depending on the type of food.

6.3 Defrosting deep-frozen foods

You are advised to consume partially defrosted foods as soon as possible. Low temperatures preserve the foods but do not destroy the microorganisms which become active after defrosting, potentially leading to a deterioration in the products. If the smell and appearance of defrosted foods appears to be unchanged, they can be cooked and potentially refrozen after they have cooled.

To defrost frozen foods correctly, depending on the type of food and the intended use, they can be defrosted at room temperature, in the fridge, in an electric oven (static or fan-assisted oven function) or in a microwave oven using the appropriate setting.

6.4 Making ice cubes

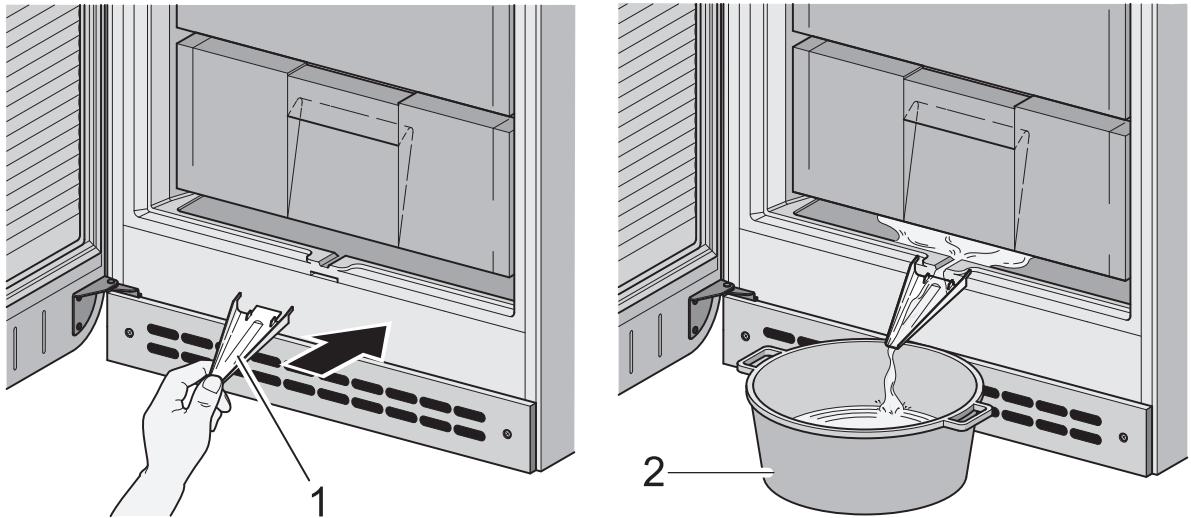
Fill the tray provided 2/3 full with cold water or any other liquid that you wish to freeze. Put it on the top shelf of the freezer, checking that the base is dry to ensure that it does not stick to the floor of the shelf. If the tray gets stuck inside the freezer, do not use pointed or sharp objects to remove it. To remove the ice cubes, twist the tray slightly or put it under running water for a few seconds.



7. MAINTENANCE AND CLEANING

7.1 Defrosting the freezer

The freezer needs to be defrosted manually. You are advised to defrost it when the frost or ice on the shelves is more than 2 cm thick (or once/twice per year). A few hours before defrosting, set the thermostat to its coldest setting in order to further lower the temperature of the frozen foods. Then turn off and unplug the freezer (or turn off the main switch). Open the door and remove the deep-frozen products from the drawers, protecting them from defrosting during cleaning operations. Leave the freezer door open to allow the frost to melt. Insert the drain **(1)** into the corresponding slot. Place a container **(2)** (not supplied) under the drain to catch the water from the defrosting. Reconnect the plug (or set the main switch to ON). Turn the freezer back on using the selector switch on the control panel.





7.2 Cleaning the freezer

Before cleaning, remove the plug from the mains (or turn off the main switch). To clean the outside of the freezer, use water and a gentle liquid detergent only, or a detergent for general use on washable surfaces (e.g. a detergent for use on glass). Do not use products containing abrasive or aggressive substances for plastic or enamelled parts, or acids or chemical solvents. Use a sponge or a soft cloth.

Do not use steam cleaners inside the freezer; we advise you to use gentle liquid detergents intended for washable surfaces, ideally disinfectants, provided that they do not contain solvents or aggressive substances and/or abrasive particles.

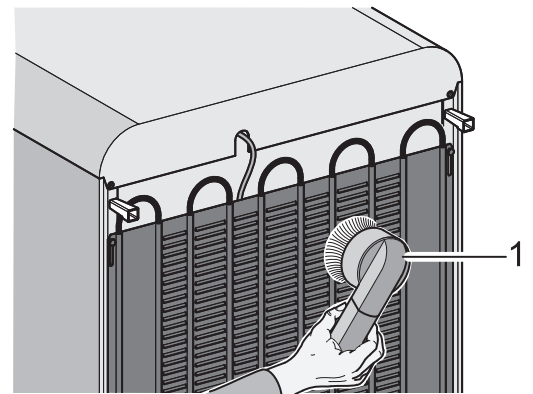
Please note that our **Technical Support Centres** can provide **Smeg** products specifically intended for cleaning these appliances.

Remove the drawers, taking care not to force them out. Do not wash removable plastic parts in the dishwasher, just use lukewarm water and washing up liquid or a water and vinegar solution.

To clean the seals, use lukewarm water and dry them afterwards.

To ensure that the freezer functions properly, you will also need to clean the condenser at the back periodically, using a brush or a vacuum cleaner **(1)**.

To clean the handle, use the same products as those for cleaning the outside surfaces of your new product: do not use paste or cream detergents, detergents for steel or any that contain acidic substances or abrasive particles, as these products can cause the finish of the part to become opaque and deteriorate.





7.3 Turning off the freezer

The freezer should be turned off if it is not going to be used for a period of time. Hold down the button (7) for a few seconds. Then empty the drawers, unplug the freezer from the mains and, once it has defrosted, dry off any residual moisture that may have accumulated. Leave the door ajar to ensure that moisture and stagnant air do not cause unpleasant odours.

7.4 Practical advice on energy saving

- Install the freezer in a cool, well-ventilated area, away from direct sunlight and heat sources;
- Do not put hot food in the freezer. Wait until food and drinks have cooled to room temperature before putting them in the freezer drawers;
- Keep the amount of time and the number of times the door is opened to a minimum to ensure that the inside of the freezer does not warm up more than necessary;
- Clean the condenser (at the back of the freezer) periodically to prevent any loss of efficiency of the appliance;
- Only use the rapid freeze function for as long as it is actually needed;
- If the freezer will remain unused for a long period, it is advisable to empty the appliance and turn it off.

7.5 Noises during operation

The freezer cools by means of a compression system. To maintain the selected temperature inside the freezer, the compressor starts up and, depending on the cooling level requested, may function continuously if required. When the compressor starts to function, it creates a buzzing noise which generally diminishes in intensity after a few minutes. Another sound linked to the normal operation of the freezer is a gurgling noise resulting from the movement of coolant within the coolant loop tubes. This noise is normal and does not indicate an appliance malfunction. If it becomes too loud, this may mean that there are other causes. Checks must then be made to ensure that:

- the freezer is level on the floor and the compressor does not vibrate during operation: **if this is not the case, adjust the feet it is equipped with;**
- the drawers are placed correctly in the proper slots: **if they are not, put them in correctly;**
- **Bottles and containers on the various shelves are stable and not touching each other:** otherwise, the vibration resulting from compressor operation could generate noise;
- Do not place the **freezer in such a way that it is in contact with furniture or other home appliances.**

7.6 Identifying and eliminating any operational faults

Your new freezer has been designed and manufactured based on rigorous quality standards. The aim of this section is to enable you to identify the origin of any operational fault that may arise, before contacting Smeg's technical support service.



8. TROUBLESHOOTING

PROBLEM	POSSIBLE CAUSE	PROBABLE SOLUTION
Noisy during operation		<ul style="list-style-type: none">- See "Noises during operation" section
The compressor starts to function too often or functions continuously:	<ul style="list-style-type: none">- insufficient cooling of the compressor and the condenser:- increase in surrounding temperature;- frequent or prolonged door opening;- freezer loaded with too many fresh foods	<ul style="list-style-type: none">- check that the back of the freezer is properly ventilated as indicated in section "3.1 Choice of location" and that the condenser is not too dirty;- freeze less food in one go;
The compressor does not function:	<ul style="list-style-type: none">- power cable not connected to the mains;- socket not providing any electricity.	<ul style="list-style-type: none">- connect the power cable;- contact your electricity supply company
Insufficient cooling:	<ul style="list-style-type: none">- Internal temperature setting too low (corresponds to a higher temperature inside the freezer);- frequent or prolonged door opening;- the door does not close properly- the door does not close hermetically;- increase in surrounding temperature.	<ul style="list-style-type: none">- Adjust the internal temperature using the button.- open the door less frequently and for as little time as possible;- check that the food packages are arranged properly in the drawers and are not preventing the door from closing properly; also check that the freezer is properly level on the floor;- check that the seal is closing properly and is not damaged.
Problems opening the door immediately after it has been closed:		<ul style="list-style-type: none">- if you try to reopen the door immediately after it has been closed, you will need to exert considerable force. This is due to the vacuum created by the cooling of the warm air which has entered the freezer.



PROBLEM	POSSIBLE CAUSE	PROBABLE SOLUTION
The temperature inside the freezer does not freeze the foods properly:	<ul style="list-style-type: none"> - Internal temperature setting too low (corresponds to a higher temperature inside the freezer); 	<ul style="list-style-type: none"> - Adjust the internal temperature using the button.
	<ul style="list-style-type: none"> - frequent or prolonged door opening; - the door does not close hermetically; - excessive sugar content in the food for freezing. 	<ul style="list-style-type: none"> - open the door less frequently and for as little time as possible; - check that the food packages are arranged properly in the drawers, the seal is closing properly and is not damaged, and the freezer is properly level on the floor; - some foods may not freeze completely unless they are at very low temperatures (ice cream, juice concentrates)
Excessive ice formation:	<ul style="list-style-type: none"> - Temperature control device set too high (leading to a lower temperature in the freezer); - frequent or prolonged door opening; 	<ul style="list-style-type: none"> - Adjust the internal temperature using the appropriate button. - check that the seals are functioning properly; - open the door less frequently and for less time; - increase the atmospheric temperature and humidity; - do not put hot food or drinks in the freezer;
The front of the appliance is warm to the touch		<ul style="list-style-type: none"> - The freezer is functioning correctly. There is a surface heating system inside the cabinet to limit the formation of condensation around the door seal.

CUSTOMER SUPPORT SERVICE – READING THE IDENTIFICATION PLATE.

IF YOU HAVE PROBLEMS WITH THE PRODUCT THAT YOU HAVE PURCHASED WHICH ARE NOT COVERED BY THE TABLE ABOVE AND YOU NEED FURTHER CLARIFICATION, YOU CAN CONTACT OUR AUTHORISED TECHNICAL SUPPORT SERVICE. YOU WILL FIND THE ADDRESS AND TELEPHONE NUMBER IN THE PHONE BOOK FOR YOUR AREA UNDER **SMEG**.

TO HELP US PROVIDE YOU WITH QUICKER, MORE EFFICIENT SERVICE, PLEASE TELL OUR TELEPHONE OPERATORS THE PRODUCT MODEL YOU HAVE AND ITS SERIAL NUMBER AS SHOWN ON THE RATING PLATE INSIDE THE FREEZER. THANK YOU IN ADVANCE FOR YOUR COOPERATION.