

Contents

1	Instructions	26
1.1	General safety instructions	26
1.2	Manufacturer liability	28
1.3	Appliance purpose	28
1.4	Disposal	29
1.5	Identification plate	29
1.6	This user manual	29
1.7	How to read the user manual	30
2	Description	31
2.1	General Description	31
2.2	Description of parts	32
3	Use	34
3.1	Instructions	34
3.2	Preliminary operations	34
3.3	First use	34
3.4	Using the accessories	35
3.5	Using the refrigerator compartment	36
3.6	Noises during operation	37
3.7	Turning the appliance off	37
3.8	Food storage advice	38
4	Cleaning and maintenance	39
4.1	Instructions	39
4.2	Cleaning the appliance	39
4.3	Defrosting the refrigerator compartment	40
4.4	Replacing the lamp	40
4.5	What to do if...	41
5	Installation	43
5.1	Electrical connection	43
5.2	Positioning	43

We advise you to read this manual carefully, as it contains all the instructions for maintaining the appliance's aesthetic and functional qualities.

For further information on the product: www.smeg.com

EN



Instructions

1 Instructions

1.1 General safety instructions

Risk of personal injury

- According to the current regulations, children between 3 and 8 years of age can take or load food from the appliance, but it is strongly advised against allowing children under 8 years of age to perform these operations and in general to use the appliance.
- Keep children under the age of eight at a safe distance unless they are constantly supervised and make sure that they do not play with the appliance.
- Never try to put out a fire or flames with water: turn off the appliance and smother the flames with a fire blanket.
- Cleaning and maintenance that should be performed by the user must not be carried out by unsupervised children.
- Have qualified personnel carry out installation and assistance interventions according to the standards in force.
- Do not modify this appliance.
- Do not insert pointed metal objects (cutlery or utensils) into the slots in the appliance.
- Do not try to repair the appliance

yourself or without the intervention of a qualified technician.

- Do not touch (especially with wet hands) frozen products or put them in your mouth directly.
- Do not store inflammable, explosive or volatile substances.
- Bottles containing strong alcoholic drinks must be tightly closed and stored vertically.
- If the power supply cable is damaged, contact technical support immediately and they will replace it, so as to prevent any risk.
- Ensure that the appliance is switched off and disconnected from the power supply network before replacing the bulb.
- **WARNING:** risk of fire / flammable materials.



Risk of damaging the appliance

- Never rest sharp metal objects such as knives, forks, spoons and lids on the appliance during use.
- **WARNING:** When positioning the appliance, ensure the supply cord is not trapped or damaged.



- Do not use abrasive or corrosive detergents (e.g. powder products, stain removers and metallic sponges) on glass parts.
- Do not sit on the appliance.
- Do not prize on the door or handle to move the appliance.
- Do not use steam jets to clean the appliance.
- Do not use the appliance to cool rooms for any reason.
- Always disconnect the appliance from the mains in the event of a breakdown, maintenance, when replacing the light bulb or during cleaning.
- Do not keep liquids in tins or glass containers in the freezer.
- Do not use sharp metal objects to remove excess ice build-up in the freezer compartment.
- To prevent instability of the appliance, install and secure it correctly as indicated in the instructions provided in this manual.
- Do not place heavy objects on the top of the appliance.
- If installed near another refrigerator or freezer, keep it at a minimum distance of 2 cm.
- Do not install/use the appliance outdoors.

For this appliance

- The appliance may only be used by children aged 8 years and over, and by people of reduced physical, sensory or mental capacity, or lacking in experience and knowledge in the use of the appliance, provided that they instructed on safe use of the appliance and the risks connected to it by adults who are responsible for their safety.
- Children must be supervised to ensure that they do not play with the appliance.
- Do not rest any weight or sit on the open door of the appliance.
- Take care that no objects are stuck in the doors.
- The appliance contains a small quantity of isobutane (R600a), make sure not to damage the cooling circuit during transport, installation and cleaning.
- Keep the ventilation openings surrounding the appliance or in the nearby area free from any obstructions.
- Do not use electrical appliances inside food storage compartments unless these are of the type recommended by the manufacturer.



Instructions

- Do not use mechanical, electrical or chemical products other than those recommended by the manufacturer to speed up the defrosting process.
- Do not damage the cooling circuit (if it can be accessed).
- In the event of damage to the cooling circuit, avoid the use of naked flames and ventilate the area properly.
- Do not use the appliance or parts of it in ways other than those specified in this manual.
- Opening the door for long periods can cause a significant increase of the temperature in the compartments of the appliance.
- Clean regularly surfaces that can come in contact with food and accessible drainage systems.
- Store raw meat and fish in suitable containers in the refrigerator, so that it is not in contact with or drip onto other food.
- If the refrigerating appliance is left empty for long periods, switch off, defrost, clean, dry, and leave the door open to prevent mould developing within the appliance.

1.2 Manufacturer liability

The manufacturer declines all liability for damage to persons or property caused by:

- use of the appliance other than that specified;
- failure to comply with the instructions in the user manual;
- tampering with any part of the appliance;
- the use of non-original spare parts.

1.3 Appliance purpose

The appliance is designed for use in a domestic or similar environment, for instance:

- staff kitchen areas in shops, offices and other working environments;
- farm houses and by guests in hotels, motels and other residential type environments;
- bed and breakfast establishments;
- catering and similar non-retail applications.
- The appliance is not designed for professional and commercial use.
- This appliance is for refrigeration and conservation of fresh and frozen foods in the home. Every other use is considered inappropriate.
- The appliance is not designed to operate with external timers or with remote-control systems.



1.4 Disposal



This appliance must be disposed of separately from other waste (Directives 2002/95/EC, 2002/96/EC, 2003/108/EC).

The appliance does not contain substances in quantities sufficient to be considered hazardous to health and the environment, in accordance with current European directives.

To dispose of the appliance:

- Cut the power supply cable and remove it along with the plug.



Power voltage

Danger of electrocution

- Disconnect the mains power supply.
- Unplug the appliance.
- Deliver the appliance to the appropriate recycling centre for electrical and electronic equipment waste, or return it to the retailer when purchasing an equivalent product, on a one for one basis.
- If the appliance is replaced, remove the door and leave the shelves in their positions, in order to prevent children from being trapped inside.

Our appliances are packaged in non-polluting and recyclable materials.

- Deliver the packing materials to the appropriate recycling centre.



Plastic packaging

Danger of suffocation

- Do not leave the packaging or any part of it unattended.
- Do not let children play with the plastic bags.

1.5 Identification plate

The identification plate bears the technical data, serial number and brand name of the appliance. Do not remove the identification plate for any reason.

1.6 This user manual

This user manual is an integral part of the appliance and must therefore be kept in its entirety and within the user's reach for the whole working life of the appliance.

Read this user manual carefully before using the appliance.



Instructions

1.7 How to read the user manual

This user manual uses the following reading conventions:

Instructions



General information on this user manual, on safety and final disposal.

Description



Description of the appliance and its accessories.

Use



Information on the use of the appliance and its accessories, food storage advice.

Cleaning and maintenance



Information for proper cleaning and maintenance of the appliance.

Installation



Information for the qualified technician: Installation, operation and inspection.



Safety instructions



Information



Advice

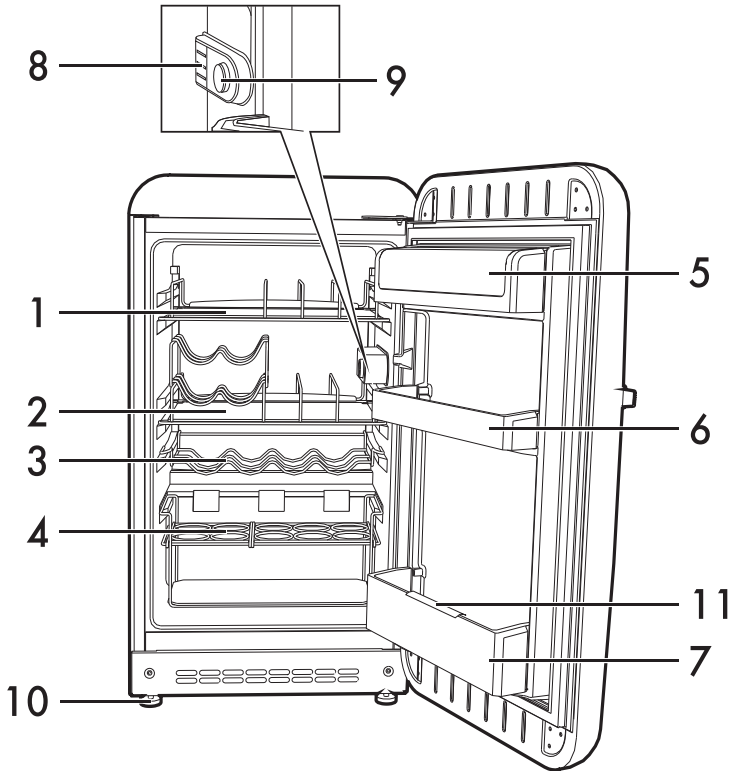
1. Sequence of instructions for use.

- Standalone instruction.



2 Description

2.1 General Description



- | | |
|---|-------------------------------|
| 1 Carton-holder rack | 7 Bottle balcony |
| 2 Mixed beverage and bottle-holder rack | 8 Bulb-holder |
| 3 Bottle-holder rack | 9 Refrigerator thermostat |
| 4 Beer-holder rack | 10 Adjustable feet |
| 5 Covered balcony | 11 Flexible tab bottle-holder |
| 6 Intermediate adjustable balcony | |



Description

2.2 Description of parts

Interior lighting

The interior of the appliance is lit when the door is opened and turned off when it is closed.



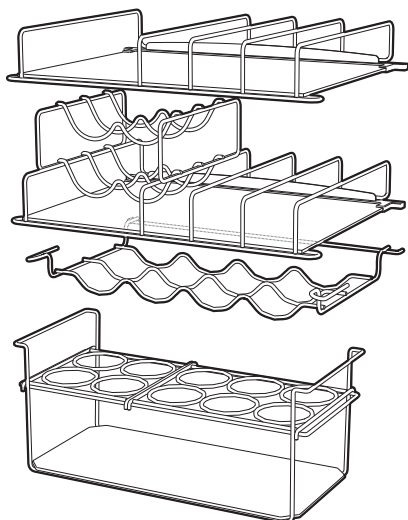
The light comes on even if the refrigerator thermostat is set on "0", meaning that the refrigerator is switched off.

Refrigerator thermostat

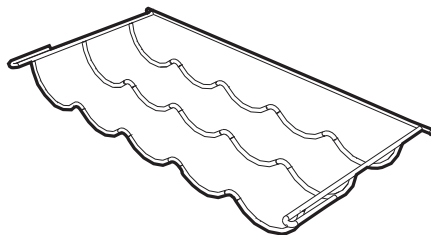
For adjusting temperature inside the appliance

Shelves

This appliance has many shelves that can be positioned at different heights fitting them in the suitable guides; they are useful to optimise space and store foodstuffs and beverage inside the refrigerator compartment.

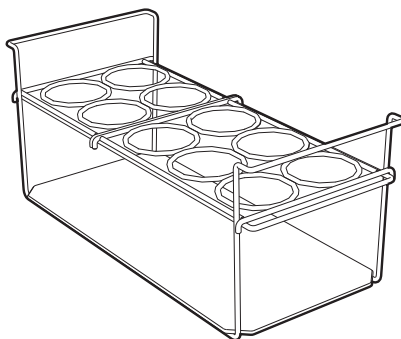


Bottle-holder rack



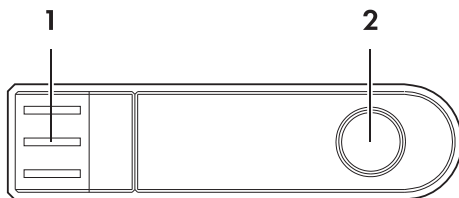
For storing bottles inside the refrigerator compartment.

Beer-holder rack



For storing beer and plastic bottles.

Control panel

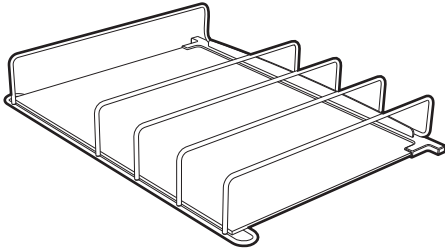


1 Bulb holder.

2 Refrigerator thermostat knob.



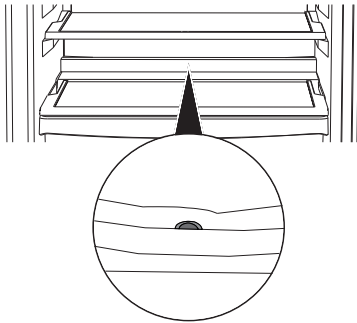
Carton-holder rack



For storing fruit juices, milk cartons and cans.

Defrost water outlet

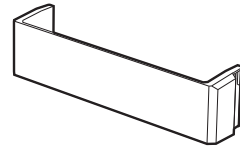
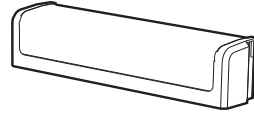
Defrost water is channelled through a dedicated opening, on the bottom of the appliance, connected to a pan at the back of the appliance.



Check periodically that this opening is not blocked and clean it, if necessary.

Door balconies and shelves

The door inner side contains suitable balconies for storing foodstuffs in small containers. The shelf in the lower part of the door is useful for storing bottles.



Not all accessories are available on some models.



The accessories intended to come into contact with food are made of materials that comply with the provisions of current legislation.



Supplied and optional accessories can be requested to Authorised Service Centres. Use only original accessories supplied by the manufacturer.



3 Use

3.1 Instructions



Improper use Risk of damage to the appliance

- Do not use sharp objects when removing ice and frost in order not to damage the appliance's walls.
- Do not rest any weight or sit on the appliance door.
- Do not touch the heating elements on the outside of the appliance.
- Do not store inflammable, explosive or volatile substances.
- Organic compounds, acids and essential oils can corrode the seals, the shelves and the plastic surfaces if left in contact with them for extended periods.
- Bottles containing strong alcoholic drinks must be tightly closed and stored vertically.
- Do not use the appliance or parts of it in ways other than those specified in this manual.
- To facilitate circulation of air below the appliance, the area underneath must be kept empty. Do not block it with a carpet or anything else.

3.2 Preliminary operations

1. Remove any protective film from the outside or inside of the appliance, including accessories.
2. Remove any labels (apart from the technical data plate) from the accessories and shelves.

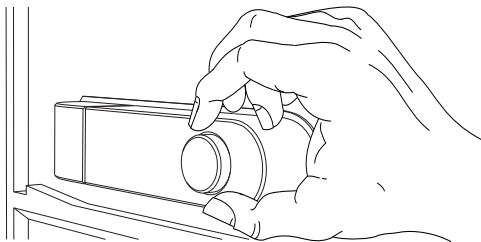
3. Remove and wash all the appliance's accessories (see 4 Cleaning and maintenance).
4. Plug the appliance into a wall socket.

3.3 First use



- After installing or repositioning the appliance, wait at least two hours before activating it.
- When the appliance is turned on for the first time it must run continuously for 24 hours before cooling down to a suitable temperature; during this time do not open the door too often and do not introduce big amounts of food.

Refrigerator thermostat adjustment



The knob in the top right-hand corner of the appliance is used to set the refrigerating temperature.

When the knob is turned to **0**, the appliance is switched off.

The operational settings range from **1** to **5**.



- Positions **1** and **2** correspond to a lower cooling power.
- Positions **3** and **4** correspond to a normal cooling power.
- Position **5** generates the appliance maximum cooling power.

In normal usage conditions you are advised to select a medium-low setting (positions **1** or **2**) for proper conservation of foodstuff in the appliance.

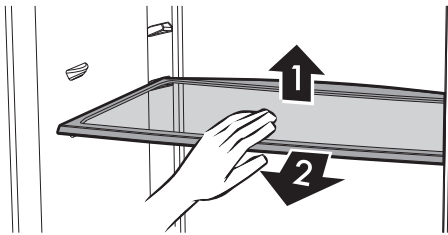


Increasing from position **1** to **5** temperature decreases in the refrigerator compartment.

3.4 Using the accessories

Shelves

These can be positioned at different heights on the guides according to requirements. Each shelf has a safety fitting to prevent it from being accidentally removed. To remove them completely, lift them at the back and extract them.

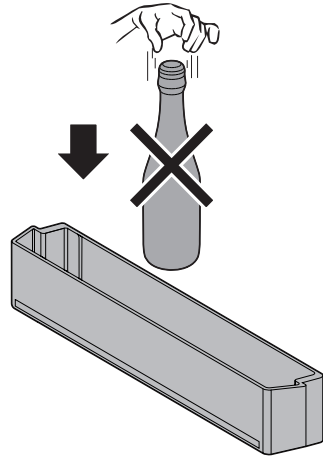


Perishable foods should be placed on the rear part of the shelves where the temperature is lower.

Door balconies and shelves

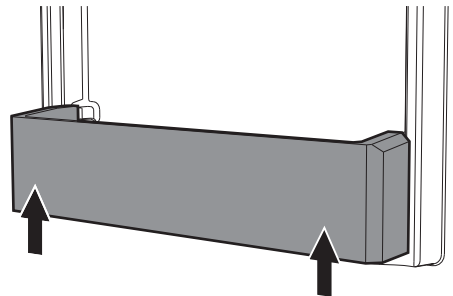
Suitable for storing eggs, butter, dairy products, conserves and other small food packages/containers.

The lower part of the door features a balcony for bottles.



Do not place excessively heavy bottles in the balcony and do not drop them.

All balconies and trays can be removed for cleaning. To remove them, tap them upwards with your fist, first on one side and then on the other in the insertion zone.





3.5 Using the refrigerator compartment

Arranging food

Arrange food on the various shelves, making sure that they wrapped and covered hermetically. This precaution ensures that:

- the flavour, moisture and freshness of the foods is preserved;
- any contamination of foods with odours or tastes from other foods can be avoided;
- the humidity level inside the refrigerator is prevented from becoming too high as a result of the normal transpiration of food (especially fresh fruit and vegetables). In some operating conditions (rise in ambient temperature and humidity, more frequent opening of the door) this might cause condensation to form on the shelves.



Always allow hot foods and drinks to cool to room temperature before putting them in the appliance.

Storage life table

Foodstuff	Time
Eggs, smoked meats, marinated foods, cheese	max 10 days
Root vegetables	max 8 days
Butter	max 7 days
Pastries, fruit, ready meals, fresh meat	max 2 days
Fish, minced meat, seafood	max 1 day



3.6 Noises during operation

The refrigerator and freezer compartments are cooled by means of a compression system. In order to maintain the preset temperature inside the refrigerator and freezer compartments, the compressor comes into operation in response to the level of cooling required, and may operate continuously if necessary. When the compressor starts to function, it creates a buzzing noise which generally diminishes in intensity after a few minutes.

Another normal operating noise of the appliance is a gurgling due to the coolant flowing through the pipes in the circuit. This noise is normal and does not indicate an appliance malfunction. If it becomes too loud, this may mean that there are other causes. Checks must then be made to ensure that:

- The refrigerator is properly levelled on the floor and does not vibrate when the compressor is in operation: if this is not the case, adjust the appliance's feet until it is level;
- The drawers, shelves and trays on the door are correctly positioned in their holders: if they are not, put them in correctly;
- Bottles and containers on the various shelves are stable and not touching each other: otherwise, the vibration resulting from compressor operation could generate noise;
- Do not place the fridge in such a way that it is in contact with furniture or other household appliances.

3.7 Turning the appliance off

Whenever the appliance is to remain unused for long periods, it should be switched off.

1. Return thermostat knob to the "0" position.
2. Unplug the appliance from the wall socket.
3. Empty the compartments.
4. Let the appliance defrost independently and remove the residual accumulated moisture with a soft cloth.



- Leave the door ajar to ensure that moisture and stagnant air do not cause unpleasant odours.
- Wait at least 5 minutes before restarting the appliance or plugging it in so as not to damage the compressor.



3.8 Food storage advice

Practical energy saving advice

- Correct use of the appliance, correct packaging of foodstuffs, a constant temperature and food hygiene have significant effects on the quality of storage.
- Reduce the number of times that the door is opened and the length of time it remains open to prevent the compartments from heating up excessively.
- Clean the condenser on the back of the appliance periodically to prevent its efficiency from being reduced.

General advice

- Always check the expiry date on the food packaging.
- The foodstuffs must be stored in closed or pre-packaged containers and must not be able to emit or absorb moisture and odours.
- Remove perishable products from the appliance if you are going away for a long period.
- Do not eat food with an anomalous appearance or smell.
- If power supply is missing, open the door of the appliance as seldom as possible, so as to avoid thawing or warming up, even partial, of food, which would lower their nutritional value.
- Climatic conditions, temperature of fresh food introduced into the refrigerator compartment and frequency with which the doors are opened affect the appliance operating temperatures.

Refrigerator compartment door

- Keep eggs, butter, cheese etc. in the upper and central parts.
- Keep drinks, bottles, cans etc. in the lower part.

Refrigerator compartment

- Keep preserves, wine, biscuits etc. in the upper part.
- Keep dairy products, ready meals, pastries, fruit juices, beer etc. in the central part.
- Keep meats, cold cuts etc. in the lower part.
- Keep fresh and tropical fruit, vegetables, carrots, potatoes, onions, etc. in the fruit and vegetable drawer (where present).



In the case of power failure, the freezer compartment maintains its temperature for around 18 hours.



4 Cleaning and maintenance

4.1 Instructions



Improper use Risk of damage to surfaces

- Do not use steam jets to clean the appliance.
- Do not use cleaning products containing chlorine, ammonia or bleach on parts made of steel or that have metallic surface finishes (e.g. anodizing, nickel- or chromium-plating).
- Do not use abrasive or corrosive detergents (e.g. powder products, stain removers and metallic sponges) on glass parts.
- Do not use rough or abrasive materials or sharp metal scrapers.



Power voltage Danger of electrocution

- Turn off the appliance and unplug it from the mains before cleaning or maintenance.
- Do not pull the cable to remove the plug.
- Do not bend or twist the power supply cable.

4.2 Cleaning the appliance

A special antibacterial protection on the appliance's interior walls prevents bacterial growth and keeps them clean. They must nevertheless be cleaned regularly in order to keep them in good condition.

Cleaning the outside of the appliance

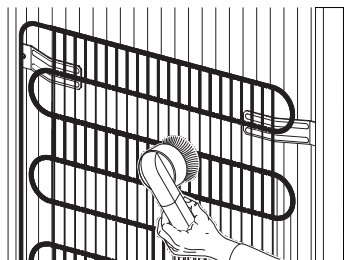
- The appliance may be cleaned with water or alcohol-based liquid detergents (e.g. window cleaning products).
- Do not use aggressive detergents and rough sponges in order not to damage the surfaces, use a soft cloth.
- Use a soft brush to remove dust and fume deposits from the condenser on the rear of the appliance.
- Clean the tank below the compressor.

Cleaning the inside of the appliance

- Clean the inside of the appliance with diluted liquid detergent and warm water, adding a little bit of vinegar.
- The door balconies and shelves can be removed: tap them upwards with your fist, first on one side and then on the other in the insertion zone.
- Do not use sharp objects or spray solutions to remove excess ice build-up;
- Avoid contact with water or detergents and electrical parts or the lighting system.
- After washing the components, dry them thoroughly.



Cleaning and maintenance



To improve energy savings and efficiency of the appliance, periodically clean the condenser, located in the rear area, using a broom, a vacuum cleaner or a cloth.

4.3 Defrosting the refrigerator compartment

The appliance has automatic defrosting. During normal compressor operation frost forms on the rear wall of the appliance, and melts when it is not working.

While the compressor is not working, the accumulated frost melts and the water runs off into the opening for this purpose at the bottom of the cell.

It is then channelled into the tray under the compressor, from which it evaporates.



The amount of ice which forms on the back wall may vary with changes in weather conditions, the frequency with which the door is opened, the appliance's operating temperatures and the amount of fresh foods stored inside (especially fruit and vegetables).



Do not use electrical appliances (e.g. hair dryers) or sprays for defrosting, the plastic parts could be damaged.

4.4 Replacing the lamp

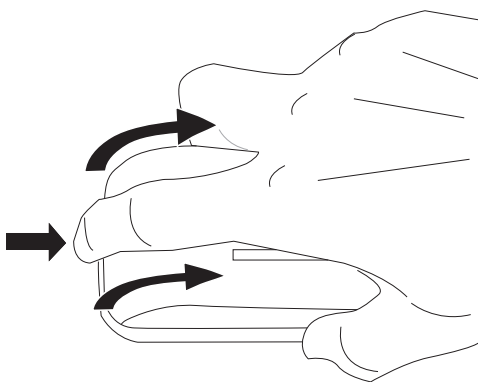


Power voltage
Danger of electrocution

- Turn off the appliance and unplug it from the mains before replacing the bulb.

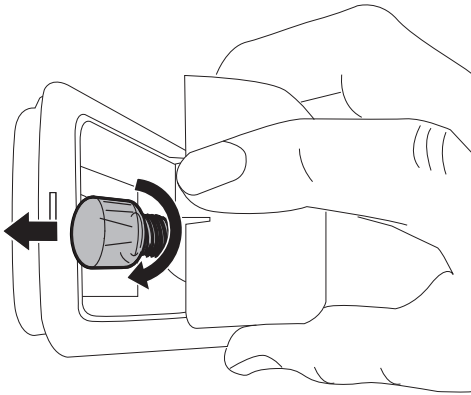
The refrigerator lamp is below the refrigerator thermostat; to replace:

1. Open the bulb housing, close to the thermostat knob, on the right of the appliance refrigerator cell.

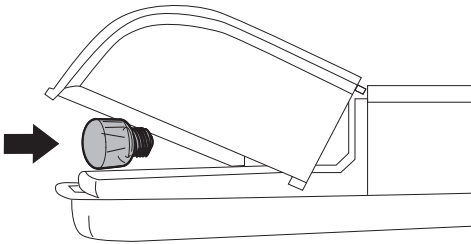




2. Remove the bulb to be replaced



3. Replace the bulb using the same type of bulb.



The indication on the bulb holder refers to filament bulbs. Only use S25-E14 LED bulbs, max. 1.5 W.



After bulb replacement, wait for 5 minutes before plugging in the plug.

4.5 What to do if...

The appliance does not work:

- Make sure that the appliance is plugged in and that the main switch is turned on.

The compressor starts to function too often or functions continuously:

- The room temperature is too high.
- The door is being opened too often or for too long.
- The door is not closing/sealing properly.
- The freezer is loaded with too many fresh foods.
- Check that sufficient air can circulate around the sensor on the right-hand side of the refrigerator compartment.
- Check that the back of the freezer is properly ventilated and that the condenser is not too dirty.

Excessive ice or condensation has built up inside the refrigerator compartment:

- The door is being opened too often or for too long.
- Fresh food (fruit and vegetables) has been placed inside the refrigerator compartment.
- Food not properly covered or stored in hermetically closed containers.
- The foodstuffs or containers are in contact with the rear wall.
- The door seal is damaged or dirty. To clean the seal use lukewarm water and then dry it.



Cleaning and maintenance

Water is forming inside the refrigerator compartment:

- The drainage channel or opening is blocked.

The refrigerator compartment is not sufficiently cold:

- The thermostat is set at too high a temperature.
- The door is being opened too often or for too long.
- The door is not closing/sealing properly.
- The room temperature is too high.

The temperature inside the refrigerator compartment is too cold and the foodstuffs are freezing.

- The thermostat is set at too low a temperature.
- Food not contained in suitable containers or bags.
- Fruit and vegetables might be too wet.
- Foodstuffs placed against the rear wall of the refrigerator compartment.

The door is hard to open just after closing:

- If you attempt to open the door again just after closing it (especially the freezer door), considerable strength is required. This is due to the vacuum created by the cooling of the warm air which has entered the freezer.

The door is misaligned:

- Check that the appliance is level.
- Level the appliance using its feet.



5 Installation

5.1 Electrical connection



Power voltage Danger of electrocution

- The appliance must be connected to ground in compliance with electrical system safety standards.
- Do not pull the cable to remove the plug.
- Do not perform the electrical connection with wet hands.

General information

- Check the mains characteristics against the data indicated on the plate. The identification plate bearing the technical data, serial number and brand name is visibly positioned inside the appliance. Do not remove this plate for any reason.
- Do not bend or twist the power supply cable and do not use a damaged cable.
- Make sure that the plug and socket are of the same type.
- Avoid using adapters, gang sockets or extensions as these could cause overheating and a risk of burns.
- The plug must always be accessible when the appliance is installed.
- Leave the appliance standing vertically for at least two hours before turning it on for the first time.

- If it is necessary to replace the power cable, **this must be performed by an authorised technician from Technical Support Service.**

5.2 Positioning



Heavy appliance Crushing hazard

- Position the appliance with the aid of a second person.



Pressure on the open door Risk of damage to the appliance

- Never use the open door to lever the appliance into place when fitting.
- Avoid exerting too much pressure on the door when open.
- The appliance must not be exposed to direct sunlight.
- The appliance must not be installed near heat sources. If this is not possible, suitable insulation must be used.
- Do not use the appliance outdoors.



Installation

Choice of location

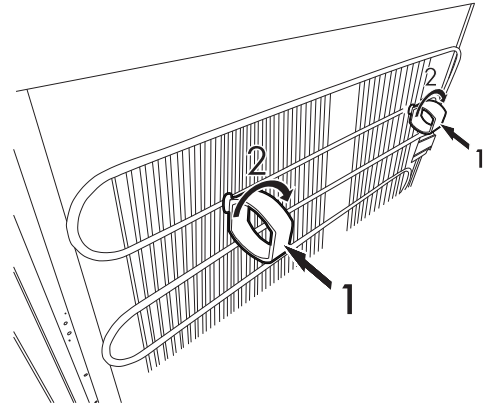
Always install the appliance in a dry place with satisfactory ventilation. Depending on its climate class (stated on the nameplate inside the refrigerator compartment), the appliance can be used in different temperature conditions.

- Install the appliance at least 5 cm away from electrical or gas cookers and at least 50 cm away from combustion heaters or radiators.
- The appliance must not be installed near heat sources. If this is not possible, suitable insulation must be used.
- If installed underneath wall units, at least 15 cm clearance must be left.
- Ensure that the appliance is located with sufficient space for the door to open and for the internal drawers and shelves to be removed, if necessary.

Class	Room temperature
SN (Subnormal)	+ 10°C to + 32°C
N (Normal)	+ 16°C to + 32°C
ST (Subtropical)	+ 18°C to + 38°C
T (Tropical)	+ 18°C to + 43°C

Spacers

To ensure proper cooling of the condenser, the appliance must not be placed too close to the wall. To prevent this, the appliance comes complete with two plastic spacers which must be fitted to the top of the condenser.



To position the spacers fit them between the vertical fins of the condenser (1), then rotate them by 90 degrees clockwise or counterclockwise, to secure them (2).

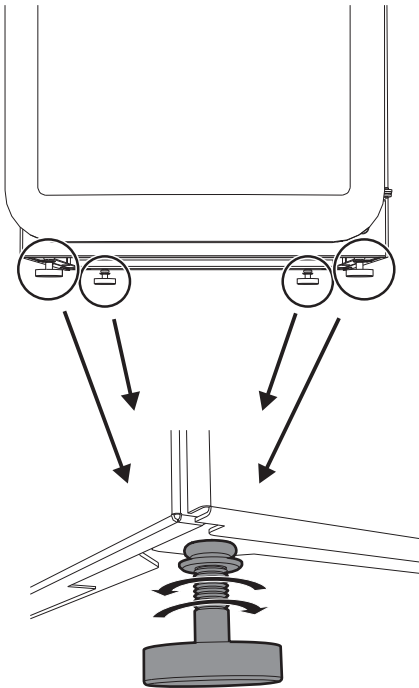


Positioning

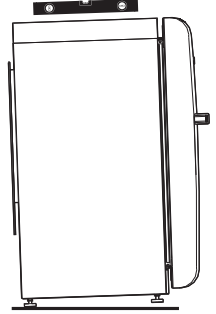
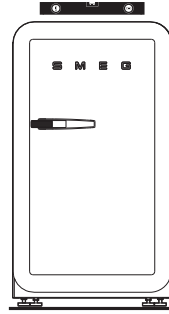
Position the appliance on a firm, level surface.

We recommend moving the appliance very carefully in order to avoid damaging the floor (especially if the refrigerator is positioned on wooden floors or linoleum). If the floor is not perfectly level, use the four adjustable feet on the front part of the appliance.

Level the appliance horizontally adjusting its feet.

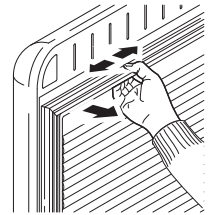
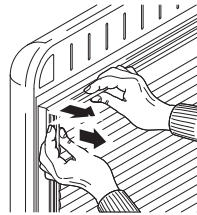


Lean the appliance slightly towards the rear part to facilitate proper door closure.



EN

A few days after installation, check that the initial level adjustment is still correct. Make sure that the appliance is still stable and the door seals still close hermetically when it is in operation and loaded with food. If necessary, re-adjust the level and the seals.



In order for the freezer to be installed correctly, the door must be able to close properly. Ensure that the door seals close hermetically, especially at the corners.



**Pressure on the seal
Risk of damage to the appliance**

- Do not press, do not tear or detach the seal from the door.

