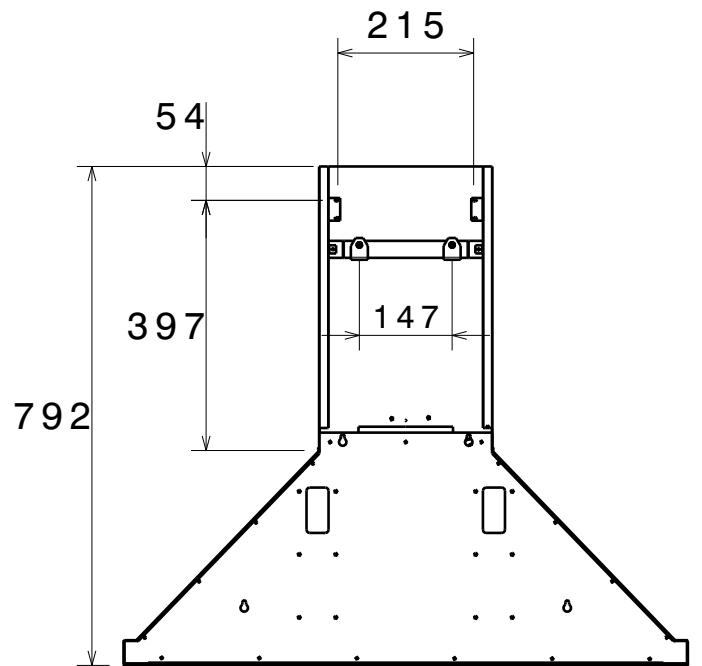
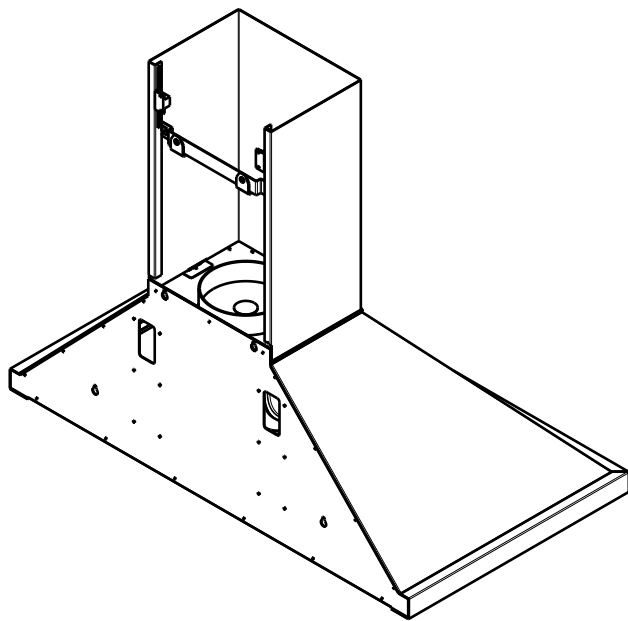
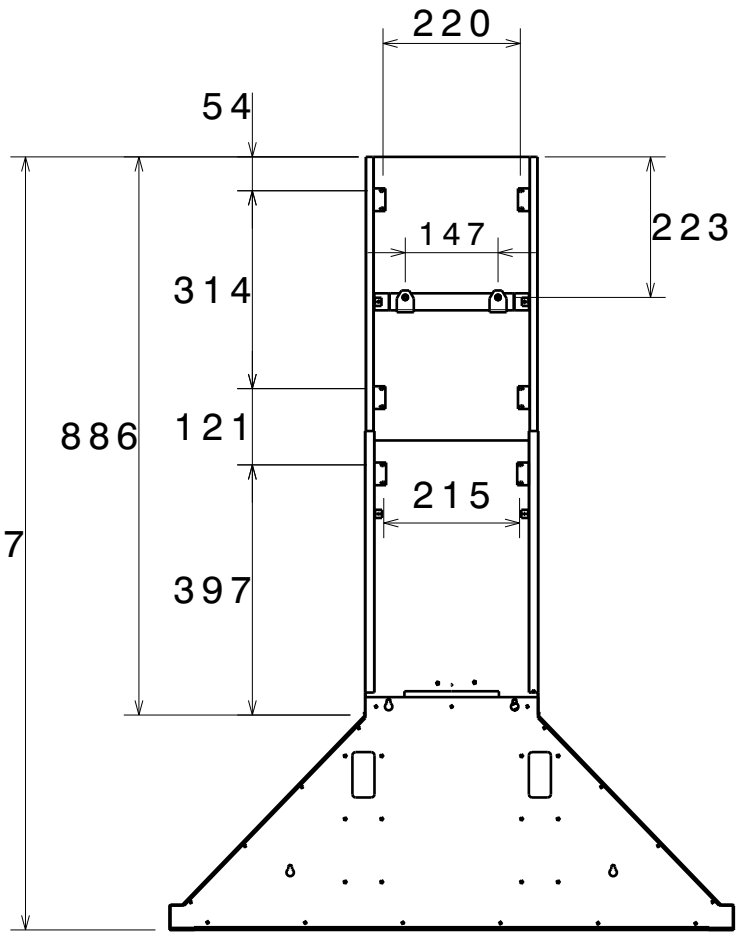
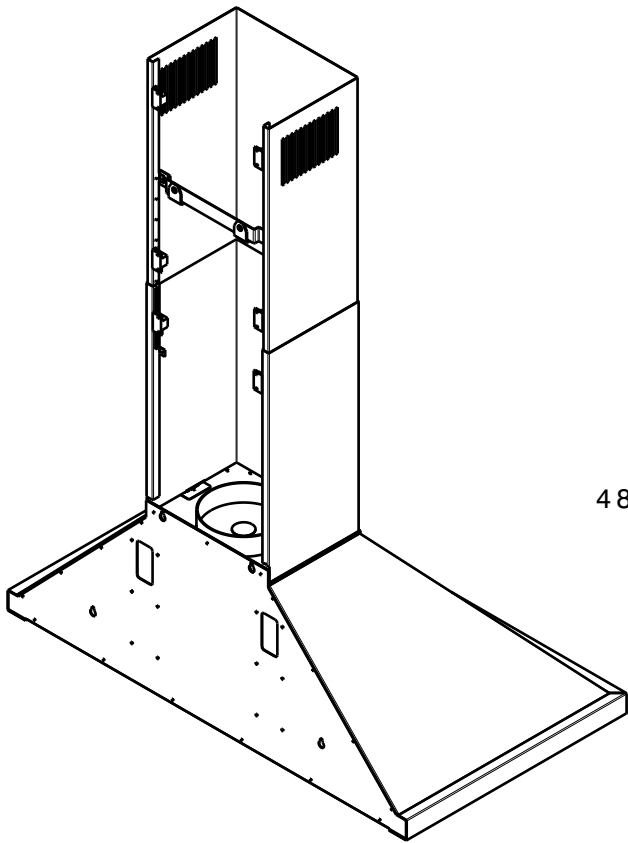
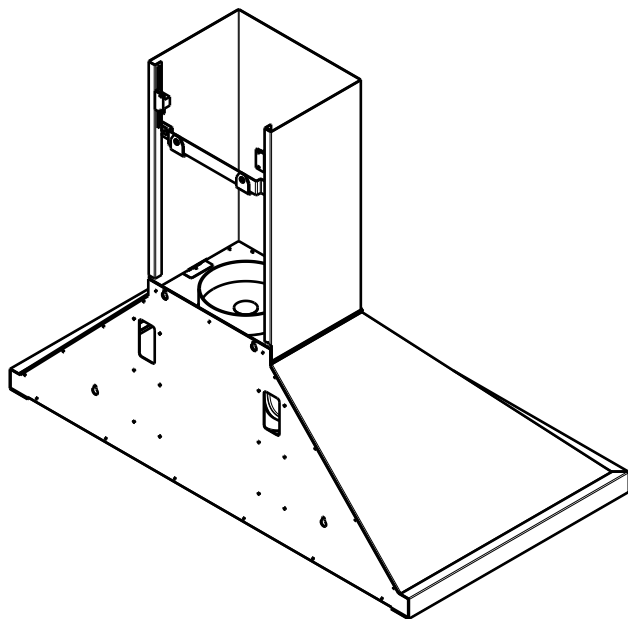
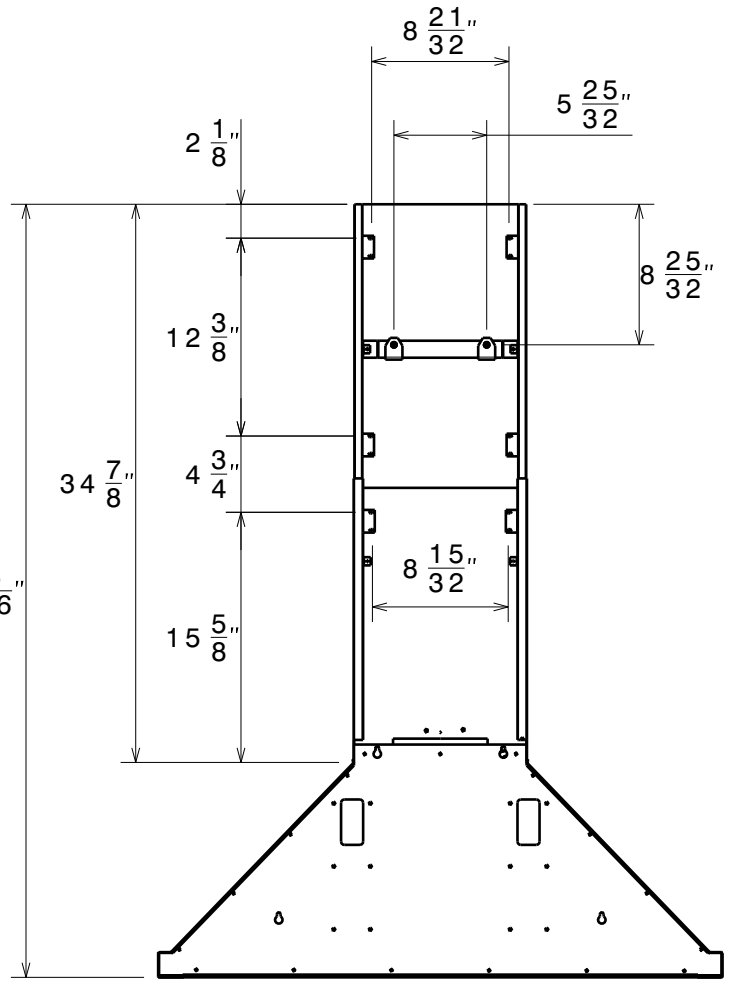


1227





48  $\frac{5}{16}$ "



31  $\frac{5}{32}$ "

