



INSTRUCTION MANUAL

GB-IE



REFRIGERATOR

IT

VI RINGRAZIAMO PER LA FIDUCIA DIMOSTRATACI AVENDO SCELTO UNO DEI NOSTRI PRODOTTI. VI CONSIGLIAMO DI LEGGERE ATTENTAMENTE QUESTO MANUALE NEL QUALE SONO RIPORTATE TUTTE LE INDICAZIONI NECESSARIE PER MANTENERE INALTERATE LE CARATTERISTICHE ESTETICHE E FUNZIONALI DEL VOSTRO FRIGORIFERO.

3 - 10

GB-IE

THANK YOU FOR CHOOSING ONE OF OUR PRODUCTS. YOU ARE ADVISED TO READ THIS MANUAL CAREFULLY; IT CONTAINS ALL THE INFORMATION YOU NEED TO KEEP YOUR REFRIGERATOR LOOKING GOOD AND PROVIDING PEAK PERFORMANCE.

11 - 18

FR-BE

NOUS VOUS REMERCIONS DE LA CONFIANCE QUE VOUS NOUS AVEZ ACCORDÉE EN CHOISSANT L'UN DE NOS PRODUITS. NOUS VOUS CONSEILLONS DE LIRE ATTENTIVEMENT CE MANUEL DANS LEQUEL SONT REPORTÉES TOUTES LES INDICATIONS NÉCESSAIRES POUR MAINTENIR INALTÉRÉES LES CARACTÉRISTIQUES ESTHÉTIQUES ET FONCTIONNELLES DE VOTRE RÉFRIGÉRATEUR.

19 - 26

DE-BE

WIR DANKEN IHNEN FÜR DAS ENTGEGENGEBRACHTTE VERTRAUEN BEI DER WAHL EINES UNSERER PRODUKTE. WIR EMPFEHLEN IHNEN, DIESE GEBRAUCHSANWEISUNG AUFMERKSAM DURCHZULESEN. SIE ENTHÄLT ALLE INFORMATIONEN, DIE NOTWENDIG SIND, UM DIE ÄSTHETISCHEN UND FUNKTIONELLEN CHARAKTERISTIKEN IHRES KÜHLSCHRANKS AUF DAUER ZU BEWAHREN.

27 - 34

NL-BE

WIJ WENSEN U VAN HARTE TE BEDANKEN VOOR HET VERTROUWEN DAT U HEEFT GETOOND DOOR TE KIEZEN VOOR ÉÉN VAN ONZE PRODUCTEN. WIJ BEVELEN NADRUKKELIJK AAN OM DEZE GEBRUIKSAANWIJZING, WAARIN U ALLE NOODZAKELIJKE AANWIJZINGEN KUNT VINDEN DIE NOODZAKELIJK ZIJN VOOR HET BEHOUD VAN DE ESTHETISCHE EN WERKINGSKARAKTERISTIEKEN VAN UW KOELKAST AANDACHTIG DOOR TE LEZEN.

35 - 42

ES

LE AGRADECEMOS LA CONFIANZA OTORGADA AL ELEGIR UNO DE NUESTROS PRODUCTOS. LE ACONSEJAMOS LEER ATENTAMENTE ESTE MANUAL, EN EL QUE APARECEN TODAS LAS INSTRUCCIONES NECESARIAS A FIN DE MANTENER INALTERADAS LAS CARACTERÍSTICAS ESTÉTICAS Y FUNCIONALES DE SU FRIGORÍFICO.

43 - 50

PT

AGRADECEMOS A CONFIANÇA QUE NOS DEMONSTROU AO ESCOLHER UM DOS NOSSOS PRODUTOS. ACONSELHAMO-LO A LER ATENTAMENTE ESTE MANUAL DE INSTRUÇÕES, NO QUAL PODERÁ ENCONTRAR TODAS AS INDICAÇÕES NECESSÁRIAS PARA MANTER INALTERADAS AS CARACTERÍSTICAS ESTÉTICAS E FUNCIONAIS DO SEU FRIGORÍFICO.

VI TAKKER JER FOR DEN TILLID I VISER OS, VED AT VÆLGE ET AF VORES PRODUKTER. VI ANBEFALER, AT I NØJE LÆSER DENNE VEJLEDNING, DER INDEHOLDER GODE RÅD OG ANVISNINGER OM, HVORDAN KØLESKABET HOLDES I PERFEKT FUNKTIONSMÆSSIG OG ÆSTETISK STAND.

51 - 58

RU

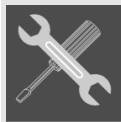
БЛАГОДАРИМ ВАС ЗА ПРИОБРЕТЕНИЕ НАШЕЙ МАШИНЫ. РЕКОМЕНДУЕМ ВНИМАТЕЛЬНО ПРОЧЕСТЬ ДАННОЕ РУКОВОДСТВО, В КОТОРОМ СОДЕРЖАТСЯ ВСЕ УКАЗАНИЯ ДЛЯ СОХРАНЕНИЯ НЕИЗМЕННЫМИ ВНЕШНЕГО ВИДА И ФУНКЦИЙ ВАШЕГО ХОЛОДИЛЬНИКА.

59 - 66

1. SAFETY PRECAUTIONS.....	12
2. INTENDED USE OF THE APPLIANCE.....	12
3. INSTALLATION AND CONNECTION	13
3.1 Choosing the site.....	13
3.2 Positioning and levelling the appliance.....	13
3.3 Electrical connection.....	13
4. PRODUCT DESCRIPTION	14
4.1 Shelves	14
4.2 Top door shelf and bottle container.....	14
4.3 Air vents.....	15
5. SETTING AND SELECTING THE OPERATING TEMPERATURE	15
6. MAINTENANCE AND CLEANING.....	15
6.1 Cleaning the appliance	15
6.2 Switching off the appliance	16
6.3 Practical advice for saving energy.....	16
7. TROUBLESHOOTING GUIDE	17



INSTRUCTIONS FOR THE USER: *these instructions contain user recommendations, description of the commands and the correct procedures for cleaning and maintenance of the appliance.*



INSTRUCTIONS FOR THE INSTALLER: *these are intended for the **qualified technician** who must install the appliance, set it functioning and carry out an inspection test.*



Further information about the products can be found at www.smeg.com

1. SAFETY PRECAUTIONS

Keep the instruction handbook in a safe place; it contains important information which must be applied when installing, using and servicing the appliance. The handbook must be kept so that it can be passed on to any subsequent owners of the appliance.

The manufacturer declines all responsibility in case of failure to comply with the following precautions:

- Moderate-temperature appliance intended for storing specific foods or drinks at a higher temperature than in the fresh food storage compartment.
- Do not attempt to operate a damaged appliance: in case of doubt, contact your dealer.
- The appliance must be installed and connected to the electrical mains in full compliance with the instructions provided in the handbook. The electrical connection conditions must be as specified on the nameplate, **which is in the top left-hand corner of the body of the appliance**. The appliance's electrical safety is only guaranteed if the household electrical system is earthed in accordance with the relevant regulations.
- Make sure that all repairs and servicing are only carried out **by authorised engineers from the Smeg after-sales service**. Always disconnect the appliance from the electrical mains in case of breakdown and maintenance, when changing light-bulbs or during cleaning. Never defrost using electrical devices or steam cleaners. Never remove frost or ice with sharp items, **as this may cause irreparable damage to the walls of the appliance**.
- Never attempt to move the appliance by pulling on the door or the handle.
- High-alcohol drinks must only be stored sealed and vertical. Never store explosive items, such as spray cans with flammable propellants, in this appliance.
- Do not use electrical equipment (such as ice cream makers or blenders) inside the appliance.
- To ensure the appliance operates correctly, never obstruct or cover the air ducts in any way.
- Never eat or drink foods which look or smell strange.
- **Never allow children to play with the appliance and use the drawers, shelves or other parts of the appliance only as described in this handbook; never use them for purposes other than those for which they are designed.**
- This appliance may be used by children from the age of 8 and by people of reduced physical and mental ability or lacking in experience and knowledge, provided they are supervised or instructed on the safe use of the appliance and if they understand the associated risks. Do not allow children to play with the appliance. Do not allow unsupervised children to perform cleaning or maintenance operations.

In case of electricity blackout, open the door(s) as little as possible..



Caution: when transporting, installing, cleaning and repairing the appliance, take care not to damage any parts of the refrigeration circuit to prevent the risk of gas leaks. In case of damage, do not use naked lights and ventilate the room containing the appliance appropriately.

2. INTENDED USE OF THE APPLIANCE

The appliance is intended for use in the home or similar environments (such as hotel rooms) or in non-working locations in general.

Smeg declines all responsibility for damage deriving from improper use of the appliance. The appliance has undergone all necessary tests regarding tightness of the refrigeration circuit and complies with the safety regulations for electrical appliances.



Caution: the manufacturer declines all responsibility for injury or damage caused by failure to comply with the above regulations or deriving from tampering with even just one part of the appliance and the use of non-original spare parts.



3. INSTALLATION AND CONNECTION

3.1 Choosing the site

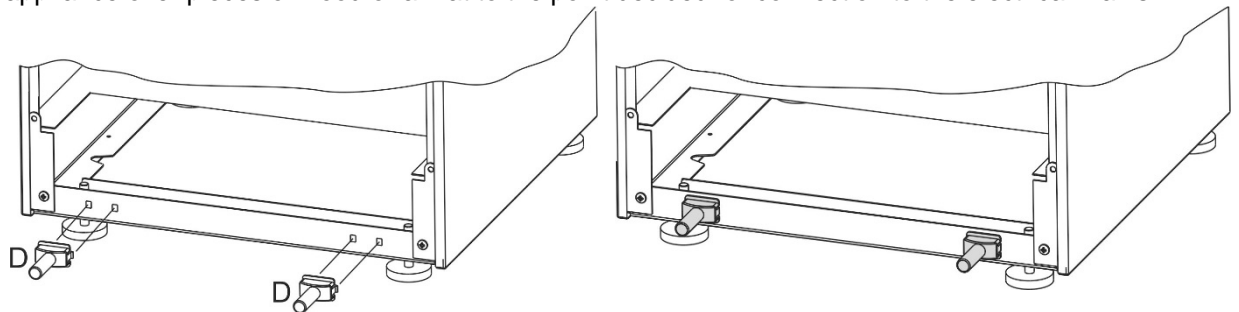
Always place the appliance in a dry place with satisfactory ventilation. Never expose it to direct sunlight or install it outdoors. Depending on its climate class (stated on the nameplate inside), the appliance can be used in different temperature conditions:

Class	Ambient temperature
SN (Subnormal)	from + 10° C to + 32° C
N (Normal)	from + 16° C to + 32° C
ST (Subtropical)	from + 18° C to + 38° C
T (Tropical)	from + 18° C to + 43° C

Never place the appliance close to heat sources. If this is unavoidable, a suitable insulating panel must be used to allow the appliance to function properly. Otherwise, place the appliance at least 3 cm from electric or gas cookers and at least 30 cm from combustion or radiation heating systems.

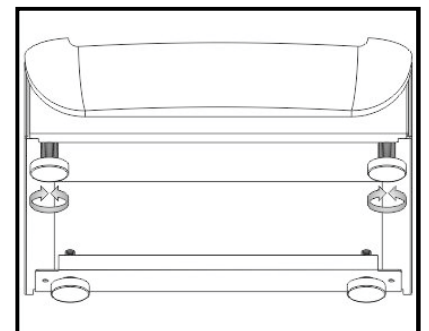
To allow proper cooling of the condenser, the appliance must not be placed too close to the wall. To prevent this, fit the two spacers “D” (supplied in the accessories bag) as shown below. If the appliance is installed underneath a wall cupboard, the distance between the two must be at least 5 cm.

Position the appliance so that the **door can be opened fully**. Take care not to scratch or damage the floor when installing the appliance on parquet or linoleum. If necessary, when positioning slide the appliance over pieces of wood or a mat to the point decided for connection to the electrical mains.



3.2 Positioning and levelling the appliance

Place the appliance on a **firm, level surface**. To compensate for any unevenness in the floor, the appliance has four adjustable feet. This gives it added stability and makes it easier to move around and position. Take great care **when moving the appliance not to damage the floor** (for example, when installing on a parquet floor).



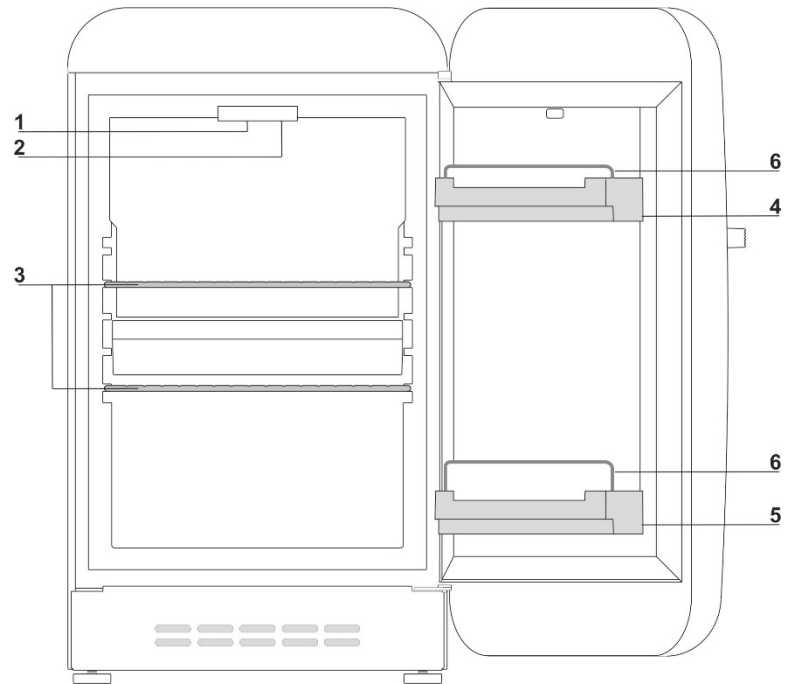
3.3 Electrical connection

Connect the appliance's power supply lead to a mains socket with earth contact, installed in accordance with electrical safety regulations. The rated voltage and frequency are stated on the nameplate inside the appliance. The appliance must be connected to the electrical mains and earthed in compliance with the relevant regulations and requirements. The appliance is able to withstand short fluctuations in voltage of no more than 15% less or 10% more than the rated voltage stated on the nameplate. If the power supply lead has to be replaced, this operation must only be carried out by an **authorised Smeg technical service engineer**. The power plug must be accessible after the appliance has been installed.



4. PRODUCT DESCRIPTION

- 1 Inside light.
- 2 Thermostat switch.
- 3 Removable shelves.
- 4 Top door shelf.
- 5 Bottle shelf.
- 6 Bottle/jar container.



When the appliance door is opened, the light comes on; it remains on until the door is completely closed again.



The appliance **produces no noise** while running as it is not fitted with a compressor or moving mechanical parts.

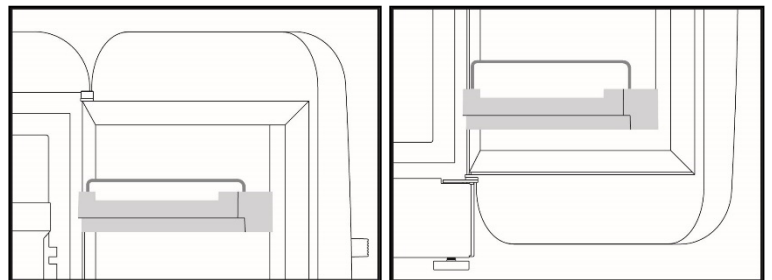
4.1 Shelves

The appliance comes complete with several shelves which can be set at different heights by placing them on the runners provided. Then change the position of the shelf or shelves as you require. For easy removal of all internal accessories, the door has to be opened completely.

4.2 Top door shelf and bottle container

The inside of the door is fitted with a shelf for storing tubes, small packages and jars.

The bottom of the door has a shelf to take vertical bottles and cans.



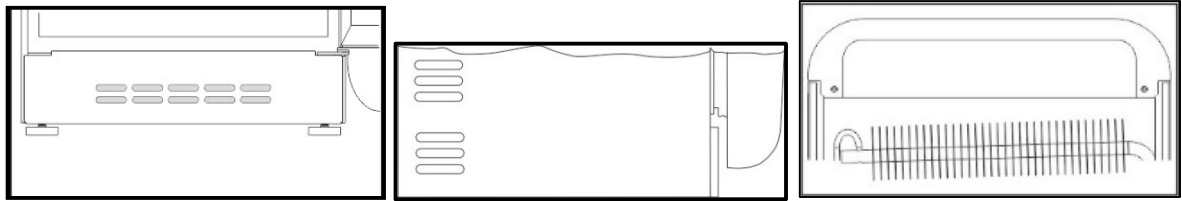
The top door shelf and the bottle shelf, as well as the bottle/jar container, are not interchangeable and **must not be inverted** after being taken out for cleaning. Otherwise, bottles may fall out when the door is opened.

The shelf and container can be removed for cleaning. To remove them from the door, tap them upward with your fist first on one side of the insertion zone and then on the other. Do not place excessively heavy bottles on the bottle shelf, and place bottles on the shelf gently when loading them.



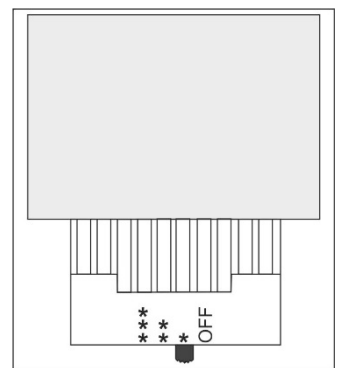
4.3 Air vents

The ventilation openings low down in the front and sides and high up at the back **must never be obstructed in any way**; this would impair operation of the appliance.



5. SETTING AND SELECTING THE OPERATING TEMPERATURE

The switch is at the top on the inside, behind the light. Select the **OFF** position to switch off the appliance. Moving the switch from ***** to ******* reduces the temperature.



Important: changes in weather conditions (temperature and humidity) and the frequency with which the door is opened may affect the appliance's operating temperatures.

6. MAINTENANCE AND CLEANING

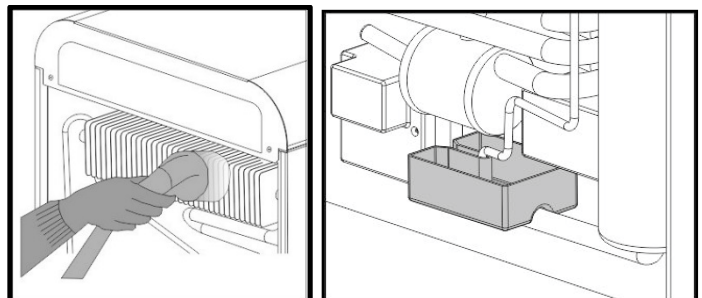
6.1 Cleaning the appliance

Before cleaning, disconnect the plug from the electrical mains. Clean the outside using only water and a gentle liquid detergent or an ordinary detergent for washable surfaces (such as a window-cleaning product). Never use products containing abrasives or substances which may attack the lacquered or painted parts, acids or chemical solvents. Use a sponge or a soft cloth. Do not use steam cleaners to clean the inside; we recommend the use of refrigerator-specific disinfectants.

Remove the shelves and accessories, taking care not to apply excessive force when removing. Follow the instructions provided in the "Top door shelf and bottle container" section carefully. Never wash removable plastic parts in the dishwasher; use only warm water and washing-up liquid or water and vinegar. Take care not to wet the electrical lighting components with water or detergents. Clean the seals with warm water and then dry.

To allow the appliance to operate at full efficiency, periodically also clean the condenser on the rear with a brush or a vacuum cleaner.

Also make a periodic check on the condensation drip tray at the rear, and clean it if necessary.

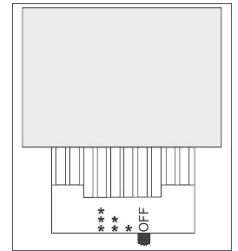




6.2 Switching off the appliance

If the appliance is to be out of use for some time, turn the temperature selector to **OFF**.

Then empty the appliance, disconnect it from the mains, and dry any residual moisture which has collected. Leave the door ajar to prevent the humidity and trapped air from creating unpleasant smells.



6.3 Practical advice for saving energy

- Install the appliance in a cool, well ventilated place, protected against direct sunlight and well away from heat sources.
- Do not place hot foods in the appliance. Wait for foods and drinks to cool to room temperature before placing them on the shelves.
- Open the door(s) as infrequently and for as short a time as possible to prevent the appliance from warming up too much.
- Clean the condenser (on the rear) periodically to prevent the appliance from losing efficiency.
- On models equipped with intensive cooling, do not leave this function activated for longer than absolutely necessary.
- If the appliance is to be out of use for a long period, it is best to empty it and switch it off.



7. TROUBLESHOOTING GUIDE

Your new appliance is designed and built to strict quality standards. This section is intended to enable you to identify the origin of any malfunctions which may occur before contacting the Smeg After-Sales Service.

PROBLEM	POSSIBLE CAUSE	PROBABLE SOLUTION
Appliance not cooled sufficiently:	<ul style="list-style-type: none">- inside temperature setting thermostat set too low (★) (this corresponds to higher appliance temperature);- door opened often or for long periods;- door not closing properly;- rise in outside temperature.	<ul style="list-style-type: none">- turn the regulator to ★★ - ★★★;- open the door less often and for as short a time as possible;- check that the foods are arranged on the shelves correctly and are not preventing the door from closing properly, and that the appliance is well levelled on the floor;- check that the gasket is sealing properly and is not damaged.
Too much condensation forming in appliance:	<ul style="list-style-type: none">- check that the door gaskets are providing an airtight seal on the appliance;- door opened often or for long periods;- foods not properly covered or stored in airtight containers.	<ul style="list-style-type: none">- in case of cracks, try to soften the gasket by pulling it with one hand and sliding your closed fingers along the inside;- open the door less often and for shorter times, especially when the appliance is working in warm, humid conditions;- cover the containers and seal foods.
Temperature inside appliance too cold:	<ul style="list-style-type: none">- cooling temperature regulator device set too high (★★★).	<ul style="list-style-type: none">- turn the selector to a lower setting (★ - ★★).



DISPOSAL INSTRUCTIONS – OUR ENVIRONMENT POLICY

Our products are only packaged using non-pollutant, environment-friendly, recyclable materials. We urge you to cooperate by disposing of the packaging properly. Contact your local dealer or the competent local organisations for the addresses of collection, recycling and disposal facilities.

Never leave all or part of the packaging lying around. Packaging parts, and especially plastic bags, may represent a suffocation hazard for children.

Your old appliance must also be disposed of properly.

Important: deliver the appliance to your local organisation authorised to collect scrapped appliances. Proper disposal allows the intelligent recovery of valuable materials. Refrigeration appliances contain gases which may damage the environment; it is important to ensure that the refrigeration circuit pipelines are not damaged until the competent service has taken delivery of the appliance.

Before scrapping your appliance, it is important to remove doors and leave shelves in position as for use, to ensure that children cannot accidentally become trapped inside during play. Also, cut the power supply lead and remove it and the plug.



NOTICE TO USERS:

PURSUANT TO DIRECTIVES 2002/95/EC, 2002/96/EC, 2003/108/EC, RELATING TO THE REDUCTION OF THE USE OF HAZARDOUS SUBSTANCES IN ELECTRICAL AND ELECTRONIC EQUIPMENT, AND WASTE DISPOSAL, THE BARRED RUBBISH BIN SYMBOL ON THE APPLIANCE INDICATES THAT IT CANNOT BE DISPOSED OF AS HOUSEHOLD WASTE AT ITS END-OF-LIFE. THE USER MUST THEREFORE HAND THE PRODUCT OVER, AT ITS END-OF-LIFE, TO THE APPLICABLE COLLECTION CENTRES FOR THE RECYCLING OF ELECTRICAL AND ELECTRONIC WASTE, OR RETURN IT TO THE DEALER ON PURCHASE OF ANOTHER EQUIVALENT APPLIANCE, ON A ONE-FOR-ONE BASIS. CONSIGNING THE END-OF-LIFE APPLIANCE TO THE APPROPRIATE COLLECTION POINT FOR RECYCLING AND ECO-COMPATIBLE TREATMENT AND DISPOSAL PREVENTS POTENTIAL NEGATIVE EFFECTS ON THE ENVIRONMENT AND HUMAN HEALTH, AND HELPS ENSURE THAT THE PRODUCT'S COMPONENT MATERIALS WILL BE RECYCLED. UNLAWFUL DISPOSAL OF THE PRODUCT BY THE USER MAY LEAD TO PROSECUTION.